

NEW

VIA ALTA DS 2

Fanless ultra-compact dual-screen Android digital signage system



Features

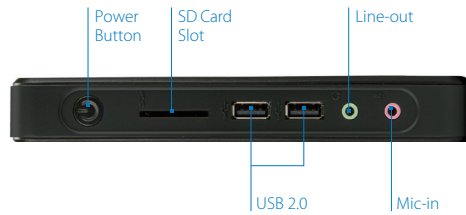
- High-performance 1.0GHz VIA Elite E1000 Cortex-A9 dual-core SoC
- Designed for Android operating system
- Dual-screen support with optional second HDMI port
- Optional HDMI-in for capture-in
- Android software solution pack and signage starter kit available

Specifications

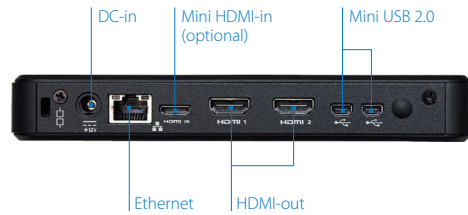
| | |
|------------------------------|------------------------------------------------------------------------------------------------------------------------------------------------------------------------------------------------------------------------|
| Model Name | ALTA DS 2 |
| Processor | 1.0GHz VIA Elite E1000 Cortex-A9 dual-core SoC |
| System Memory | 2GB DDR3 SDRAM onboard |
| Storage | 4GB eMMC Flash memory Up to 16GB eMMC (optional) Supports 1 2.5" SATA HDD/SSD (Project-based only) |
| Boot Loader | 4MB SPI Flash ROM |
| Graphics | 3 integrated, independent 2D/3D and video processing units Graphics engine supporting OpenGL® ES 3.0 hardware acceleration Supports MPEG-2, VC-1 and H.264 video decoding up to 1080p Supports H.264 encoding |
| LAN | Realtek RTL8111G-CG |
| Audio | Wolfson WM8960 Audio Codec |
| HDMI | Integrated HDMI 1.4 transmitter 2nd from ADV7511 |
| Front Panel I/O | 2 USB 2.0 ports 1 SD card slot 2 Audio jacks: Line-out and Mic-in (shared with CIR, optional) 1 Power on/off button & power indicator LED |
| Back Panel I/O | 2 Mini USB 2.0 ports (optional) - 1 for Wi-Fi - 1 for UART1 TX/RX 2 HDMI-out ports (1 optional) 1 Mini HDMI-in port (optional, project based support) 1 Gigabit Ethernet port 1 DC-in jack |
| Power Supply | 12V DC-in (typical: 5.12W) |
| Operating System | Android 4.3 |
| Operating Temperature | 0°C ~ 40°C |
| Operating Humidity | 0 ~ 90% @ 40°C (non-condensing) |
| Storage Temperature | -20°C ~ 70°C |
| Dimensions | 175mm(H) x 25mm (H) x118(D) (6.88" x 0.98" x 4.64") |
| Weight | 0.555kg (1.22lbs) |
| Compliance | CE, FCC |

CE FC

Front Panel External I/O



Rear Panel External I/O



Ordering Information

| Part Number | System Built-in CPU | Description |
|-----------------|------------------------|----------------------------------------------------------------------------------------------------------------------------------------------------------------------------------------------------------------|
| VT60800014003-T | 1.0GHz VIA Elite E1000 | Android signage system with 2GB DDR3 RAM, 4GB eMMC, HDMI-in (project based support), 2 HDMI-out, 2 USB 2.0 ports, 2 Mini USB 2.0 ports, SD card slot, Gigabit Ethernet, Stand holder, US power cord, 12V DC-in |

Optional Accessories

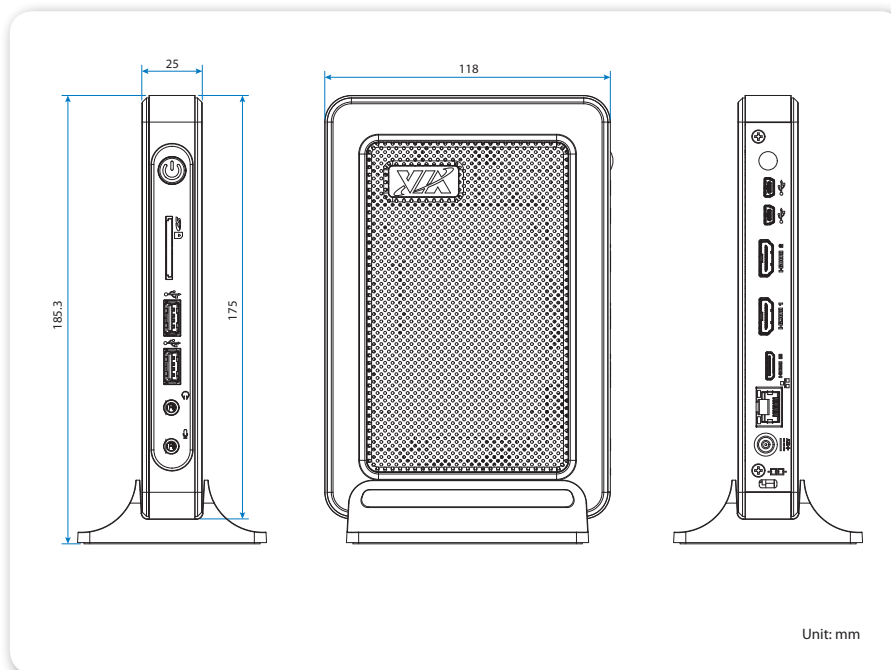
Wireless Accessories

| Part Number | Description |
|------------------|------------------------------------------------|
| 00G027100BU2B0D0 | VNT9271BU0DB IEEE 802.11b/g/n USB Wi-Fi dongle |

Mounting Options

| Part Number | Description |
|----------------|-------------------|
| VT6076-C0000A1 | VESA mount cradle |

Dimensions



Packing List

| |
|-----------------------|
| ALTA DS 2 system |
| Stand holder |
| AC-to-DC adapter |
| Power cord (USA type) |