

# CW03S

## Product Brief

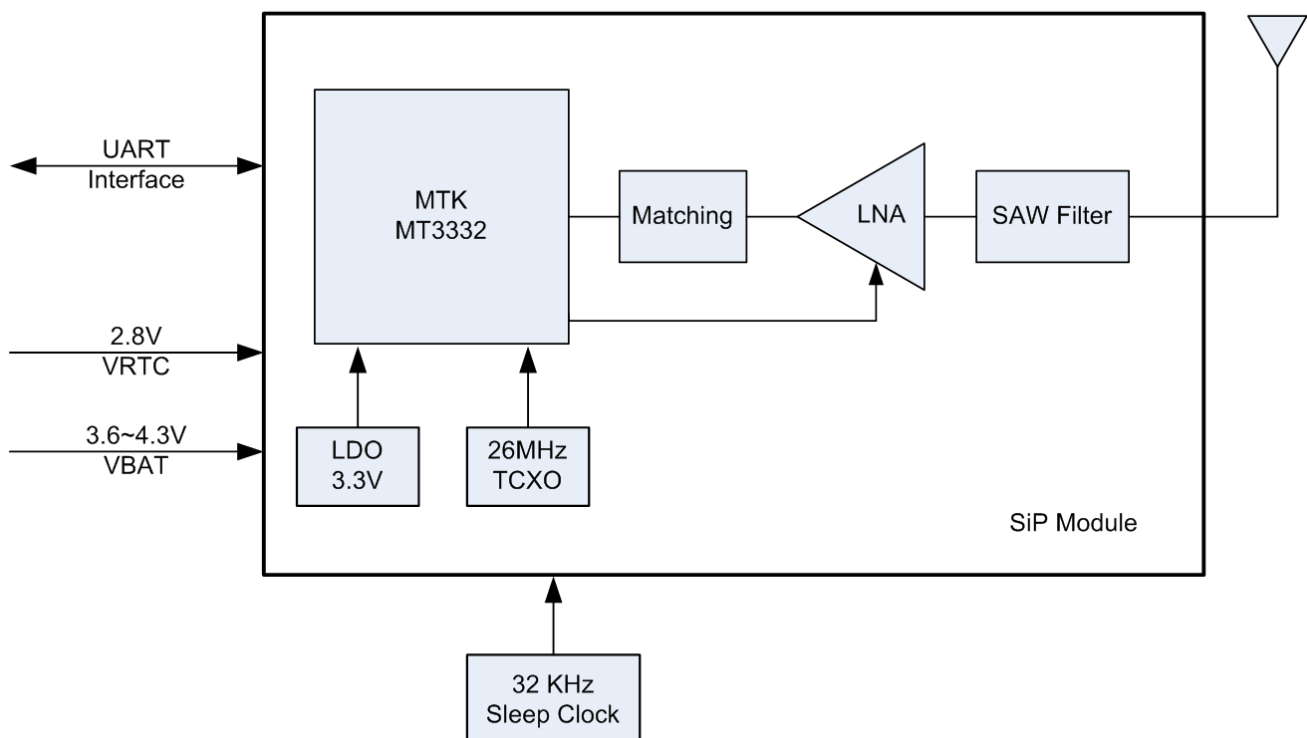


### GNSS Host-Based SiP module

#### FEATURE

- Small footprint : 11 mm X 11 mm X 1.7 mm
- Support GPS, GLONASS, BeiDou, GALILEO, QZSS and SBAS.
- Superior sensitivities :
  - ◆ Acquisition: -148 dBm (cold) / -163 dBm (hot) (Follow MTK chip specification)
  - ◆ Tracking: -165 dBm (Follow MTK chip specification)
- NMEA 0183 standard V3.01 and backward compliance, Supports 219 different data
- Ultra-low power consumption
  - ◆ Acquisition: 36 mW (Follow MTK chip specification)
- Internal real-time clock (RTC) : Supports external pin to wake up
- Supports FCC E911 compliance and A-GPS
- 26MHz TCXO included.
- RoHS & Halogen free compliant / Lead free
- Simple connection and work.

#### CW03S Block Diagram



AcSiP Technology Corp. introduces a low-cost and low-power consumption GNSS module. The module can simultaneously acquire and track multiple satellite constellations that include GPS, GLONASS, GALILEO, BeiDou, QZSS and SBAS.

Based on our experienced design, CW03S fully exhibits the excellent performance of MT3332 chip. It works in GNSS signal difficult environment, providing fast acquisitions and excellent tracking performance.

Technical Specifications	
Model Name	CW03S
GNSS Chipset	MediaTek MT3332
Host Interface	UART
Dimension	11mm X 11mm X 1.7mm
Package	LGA
Operation Conditions	
Operating Voltage	3.6V / 2.8V
Temperature	Operating : -20°C ~ 70°C Storage : -40°C ~ 85°C
Humidity	Operating : 10 ~ 95% (Non-Condensing) Storage : 5 ~ 95% (Non-Condensing)
Electrical Specifications	
Frequency	GPS, GALILEO, QZSS: L1 1575.42MHz, C/A code GLONASS: L1 1598.0625MHz ~ 1605.375MHz, C/A code
Channels	Tracking: 33 /acquisition: 99
Update rate	1Hz default, up to 10Hz
Protocol Support	NMEA 0183 V3.01, 8 data bits, no parity, 1 stop bits (default) 1Hz: GGA, GLL, GSA, GSV, RMC, VTG
Datum	WGS-84(default)