

CW01S

Product Brief



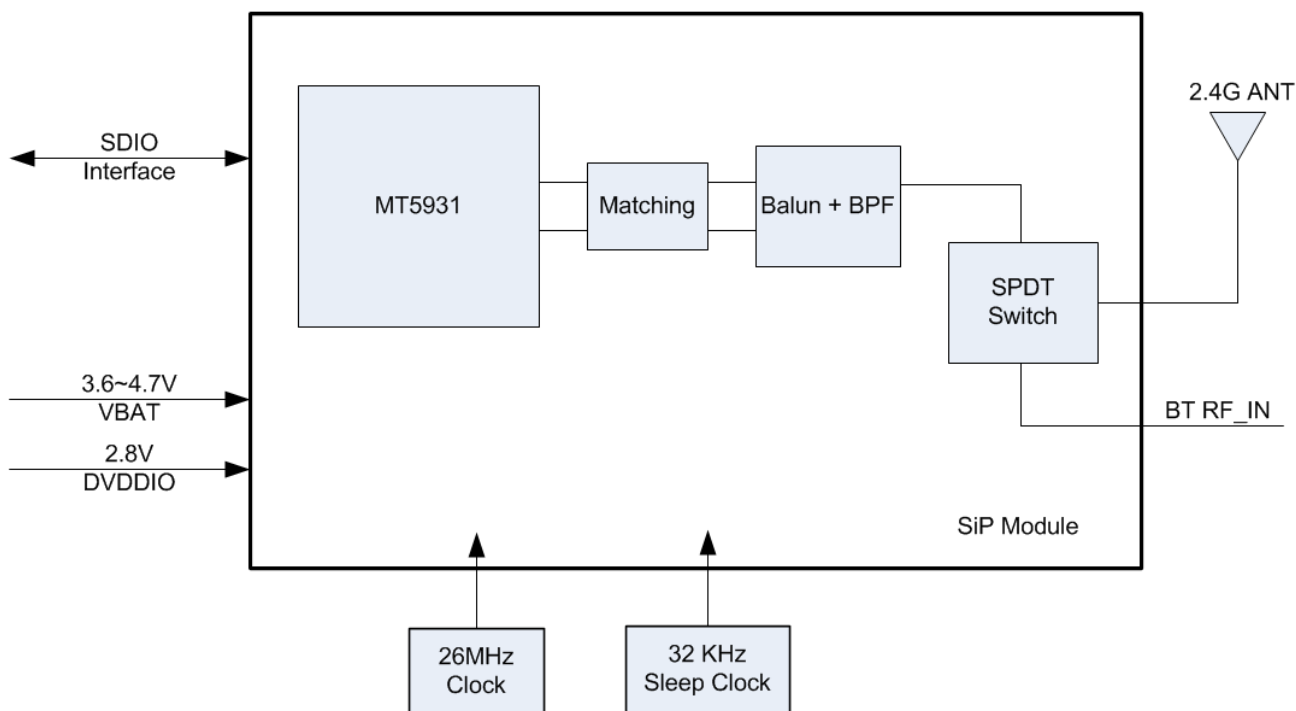
Wi-Fi SiP module 802.11b/g/n

FEATURE

- Small footprint : 9.8 mm X 9.8 mm X 1.7 mm
- Host interface : SDIO 2.0 (4-bit & 1-bit),
- Support Orthogonal Frequency Division Multiplexing(OFDM), Complementary Code Keying(CCK), and Direct Sequence Spread Spectrum(DSSS) to provide a variety of data rates
- Integrated switching regulator enables direct connection to battery
- Support AP/STA/ad-hoc mod
- IEEE 802.11n(HT20 MCS7), IEEE 802.11g (OFDM 54Mbps) and IEEE 802.11b (DSSS 11Mbps)

- Support Wi-Fi Direct (WFA P-2-P Standard)
- Security: WFA WPA/WPA2 personal, WPS2.0, WAPI (Hardware)
- QoS: WFA WMM, WMM PS
- Support Bluetooth co-existence
- Support low power consumption sleep mode via 32 kHz clock
- RoHS compliant / Lead free
- OS support: Android, Linux, Symbian

CW01S Block Diagram



BT RF_IN : BT signal for single antenna design.

AcSiP Technology Corp. introduces a low-cost and low-power consumption Wi-Fi SiP module. The module is targeted to mobile devices including smart phone, PDA, Wi-Fi phone, DSC, DVC, IOT Device which need small Wi-Fi module. The highly integrated module allows the usage of web browsing, VoIP application.

The wireless SiP module support IEEE 802.11b/g/n standard and it can provide up to 72Mbps (GI=400ns) for IEEE 802.11n, 54Mbps for IEEE 802.11g, 11Mbps for 802.11b to connect your wireless LAN.

Technical Specifications

Product Description	Wi-Fi SiP
Network Standard	IEEE 802.11b/g/n Compliant
Host Interface	SDIO 2.0 (4-bit & 1-bit)
Operating Voltage	3.6V/2.8V
Temperature	Operating: -20°C ~ 70°C Storage: -40°C ~ 85°C
Humidity	Operating:10 ~ 95% (Non-Condensing) Storage:5 ~ 95% (Non-Condensing)
Dimension	9.8mm X 9.8mm X 1.7mm
Package	LGA
Frequency	2.4GHz ISM radio band
Channel	1~14
Modulation	DSSS, OFDM, 64-QAM, 16QAM, QPSK, BPSK, CCK, DQPSK, DBPSK
Security	WFA WPA/WPA2 personal, WPS2.0, WAPI (Hardware)
Operation System	Android, Linux, Symbian
Co-existence	BlueTooth and Cell Phone Co-existence