



# MediaTek MT7682 Datasheet

Version: 1.0  
Release date: 5 May 2017

---

© 2017 MediaTek Inc.

This document contains information that is proprietary to MediaTek Inc. ("MediaTek") and/or its licensor(s). MediaTek cannot grant you permission for any material that is owned by third parties. You may only use or reproduce this document if you have agreed to and been bound by the applicable license agreement with MediaTek ("License Agreement") and been granted explicit permission within the License Agreement ("Permitted User"). If you are not a Permitted User, please cease any access or use of this document immediately. Any unauthorized use, reproduction or disclosure of this document in whole or in part is strictly prohibited. THIS DOCUMENT IS PROVIDED ON AN "AS-IS" BASIS ONLY. MEDIATEK EXPRESSLY DISCLAIMS ANY AND ALL WARRANTIES OF ANY KIND AND SHALL IN NO EVENT BE LIABLE FOR ANY CLAIMS RELATING TO OR ARISING OUT OF THIS DOCUMENT OR ANY USE OR INABILITY TO USE THEREOF. Specifications contained herein are subject to change without notice.

## Document Revision History

---

Revision	Date	Description
1.0	5 May 2017	Initial version.

## Features

---

### Wi-Fi

- IEEE 802.11 b/g/n (2.4GHz, 1x1)
- Supports 20MHz, 40MHz bandwidth in 2.4GHz band
- Wi-Fi security WEP/WPA2/WPS
- SoftAP, sniffer
- Dynamically switching between STA and SoftAP modes at runtime
- MediaTek smart connection
- Multi-cloud connectivity
- Receiver antenna diversity
- Wi-Fi and Bluetooth LE coexistence
- Integrated balun, PA/LNA
- Optional external LNA and PA support

### Microcontroller subsystem

- 192MHz ARM® Cortex®-M4 with FPU
- 14 DMA channels
- One RTC timer, one 64-bit and 5 32-bit general purpose timers
- Hardware DFS from 3MHz to 192MHz
- Development support: SWD, JTAG
- Crypto engine
  - AES 128/192/256 bits
  - DES, 3DES
  - MD5, SHA-1/224/256/384/512
- True random number generator
- JTAG password protection

### Memory

- Up to 384KB SRAM, with zero-wait state and 96MHz maximum frequency
- Up to 32KB L1 cache with high hit rate, zero-wait state and 192MHz maximum frequency.
- Embedded 8Mbits flash, with less than 0.1µA (typical) and 80MHz maximum frequency deep power-down current

### Communication interfaces

- A set of SDIO 2.0 master and SDIO 2.0 slave
- An I2C (3.4Mbps) interface
- Three UART interfaces (3Mbps and with hardware flow control)

- An SPI master and SPI slave with up to 48MHz SCK, quad mode)
- Two I2S interfaces
  - One 16/24-bit, master/slave mode
  - One 16-bit, master/slave mode with TDM
  - Two TX/RX channels with 16, 24, 48, 96, 192, 11.025, 22.05 and 44.1kHz frequencies
- Five PWM channels
- 14 GPIOs (fast IOs, 5V-tolerant)
- A single channel 12-bit AUXADC

### Power management

- Integrated DC-DC
- Power input
  - V<sub>RTC</sub>: from 1.62V to 3.63V
  - V<sub>PMU</sub> / V<sub>RF</sub>: 3.3V (+/-10%)
  - V<sub>IO\*</sub>: 1.8V, 3.3V (+/-10%)
- Off mode: <0.5µA
- Retention mode (with RTC)
  - <2.7µA (RTC only)
  - ~4.7µA with 8KB RAM sleep mode
- Deep sleep mode (with external 32kHz clock, SDIO off)
  - 80µA with 0KB RAM sleep mode
  - 108µA with 384KB RAM sleep mode
- G-band RX power: 42mA
- G-band TX power
  - FPA: 248mA at 19dBm CCK
  - HPA: 220mA at 16.5dBm OFDM
- DTIM interval with 32kHz external clock source and 384KB SRAM
  - DTIM=1: 0.62mA
  - DTIM=3: 0.29mA
- Ambient temperature from -30°C to 85°C

### Clock source

- 26MHz or 40MHz crystal oscillator
- 32kHz crystal oscillator or internal 32kHz RC for RTC

### Package type

- 5-mm x 5-mm x 0.9-mm 40-pin QFN with 0.4-mm lead pitch



**Note:**

The power consumption data is measured at 25°C

# Table of Contents

---

- 1. System Overview ..... 6**
  - 1.1. Platform features.....6
  - 1.2. Wi-Fi subsystem features .....7
  - 1.3. System block diagram.....8
- 2. Functional Overview ..... 9**
  - 2.1. Host processor subsystem.....9
  - 2.2. Boot source.....12
  - 2.3. Clock architecture.....12
  - 2.4. Serial interfaces .....14
  - 2.5. Peripherals.....16
- 3. Wi-Fi RF Subsystem .....18**
  - 3.1. Wi-Fi radio characteristics .....18
- 4. Power Management Unit.....21**
  - 4.1. Overview.....21
  - 4.2. Low-power operating mode .....21
  - 4.3. PMU Architecture .....22
  - 4.4. Power performance summary.....22
- 5. Pin Description .....24**
  - 5.1. MT7682 pin list .....24
  - 5.2. MT7682 pins .....25
  - 5.3. MT7682 pin multiplexing.....29
- 6. Electrical Characteristics .....33**
  - 6.1. Absolute maximum ratings.....33
  - 6.2. Operating conditions .....33
- 7. System Configuration .....44**
  - 7.1. Mode selection .....44
- 8. Package Information.....45**
  - 8.1. MT7682 mechanical data of the package.....45
  - 8.2. MT7682 thermal operating specifications.....46
  - 8.3. MT7682 lead-frame packaging.....47
- 9. Ordering Information.....48**
  - 9.1. MT7682 top marking definition.....48

## Lists of Tables and Figures

---

Table 2.1-1. MT7682 bus connection.....11

Table 2.4-1. I2S protocol specifications .....15

Table 2.4-2. TDM protocol specifications .....15

Table 2.5-1. GPIO speeds when the Cortex-M4 cache is enabled .....16

Table 3.1-1. 2.4GHz RF receiver specifications .....18

Table 3.1-2. 2.4GHz RF transmitter specifications .....19

Table 4.4-1. Current consumption in different power modes .....23

Table 5.1-1. MT7682S pin coordinates .....24

Table 5.2-1. Acronym for pin types and I/O structure .....25

Table 5.2-2. MT7682 pin function description and power.....25

Table 5.3-1. Peripheral functions and signals .....29

Table 5.3-2. PinMux description .....32

Table 6.1-1. Absolute maximum ratings for power supply .....33

Table 6.1-2. Absolute maximum ratings for I/O power supply.....33

Table 6.1-3. Absolute maximum ratings for voltage input .....33

Table 6.1-4. Absolute maximum ratings for storage temperature .....33

Table 6.2-1. General operating conditions.....33

Table 6.2-2. Recommended operating conditions for power supply.....34

Table 6.2-3. Recommended operating conditions for voltage input .....34

Table 6.2-4. Recommended operating conditions for operating temperature .....34

Table 6.2-5. Electrical characteristics.....34

Table 6.2-6. ESD electrical characteristics of MT7682 .....43

Table 7.1-1. Mode selection table .....44

Table 8.2-1. MT7682 thermal operating specifications .....46

Table 9.1-1. Ordering information .....48

Figure 1.3-1. System block diagram .....8

Figure 2.2-1. Boot source determination flow .....12

Figure 2.3-1. MT7682 clock source architecture.....14

Figure 3.1-1. 2.4GHz RF block diagram .....18

Figure 4.2-1. MT7682 Cortex-M4 and N9 power states and power modes.....22

Figure 5.1-1. MT7682S pin diagram and top view .....24

Figure 5.3-1. GPIO block diagram .....29

Figure 8.1-1. Outlines and dimensions of MT7682 SQFN 5 mm\*5 mm\*0.9 mm, 40-pin package .....46

Figure 9.1-1. Mass production top marking of MT7682 .....48

## 1. System Overview

---

MediaTek MT7682 is a highly integrated chipset featuring an application processor, a low power 1x1 11n single-band Wi-Fi subsystem and a power management unit (PMU).

MT7682 is based on ARM® Cortex®-M4 with floating point microcontroller unit (MCU) including integrated with 1MB flash memory. MT7682 supports interfaces including UART, I2C, SPI, I2S, PWM, SDIO and ADC.

The Wi-Fi subsystem contains the 802.11b/g/n radio, baseband and MAC that are designed to meet low power and high throughput application requirements. It also contains a 32-bit RISC CPU that could fully offload the application processor.

### 1.1. Platform features

#### 1.1.1. Micro-controller subsystem

- ARM® Cortex®-M4 with FPU as application processor with maximum frequency at 192MHz.
- Up to 32KB L1 cache with high hit rate and zero wait state with maximum frequency at 192MHz.
- 384KB SYSRAM with zero wait state with maximum frequency at 96MHz.
- SiP 8Mbits low power flash with 0.1µA deep-down current (typical condition) with maximum frequency at 80MHz.
- Crypto engine supporting AES, DES/3DES, MD5, SHA1/SHA2.
- True random number generator
- One RTC timer, one 64-bit and five 32-bit general purpose timers
- 14 DMA channels
- eExecute In Place (XIP) on flash
- Up to 14 GPIO with 5V-tolerant fast IOs, each IO can be configured as external interrupt source.

#### 1.1.2. Interfaces

The following interfaces are multiplexed with GPIO.

- An SPI master interface, 1, 2 or 4-bit mode, up to 48MHz
- An SPI slave interface, 1, 2 or 4-bit mode, up to 48MHz
- An SDIO host interface (v2.0)
- An SDIO device interface (v2.0)
- An I2S interface supporting 16 or 24-bit, master/slave mode (supports 16, 24, 48, 96, 192, 11.025, 22.05 and 44.1kHz sample rates, transmit or receive, 2 channels)
- One I2S interface supporting 16-bit, master/slave mode (supports TDM mode) (supports 16, 24, 48, 96, 192, 11.025, 22.05 and 44.1kHz sample rates, transmit or receive, 2 channels)
- An I2C master interface (3.4Mbps)

- One channel of 12-bit ADC
- Up to three UART interfaces with hardware flow control (~3Mbps)
- Up to five PWM channels

## **1.2. Wi-Fi subsystem features**

### **1.2.1. Wi-Fi MAC**

- Supports all data rates of 802.11g including 6, 9, 12, 18, 24, 36, 48 and 54Mbps.
- Supports short GI and all data rates of 802.11n including MCS0 to MCS7.
- Wi-Fi security WEP, WPA2 and WPS.
- Supports SoftAP and sniffer modes.
- Supports MediaTek Smart Connection.
- Supports multi-cloud connectivity.
- Supports Wi-Fi/Bluetooth LE coexistence.

### **1.2.2. WLAN baseband**

- 20 and 40MHz channels
- MCS0-7 (BPSK,  $r=1/2$  through 64QAM,  $r=5/6$ )
- Supports greenfield, mixed mode and legacy modes.
- Short Guard Interval
- Supports digital pre-distortion to enhance PA performance.
- Supports receiver antenna diversity.

### **1.2.3. WLAN RF**

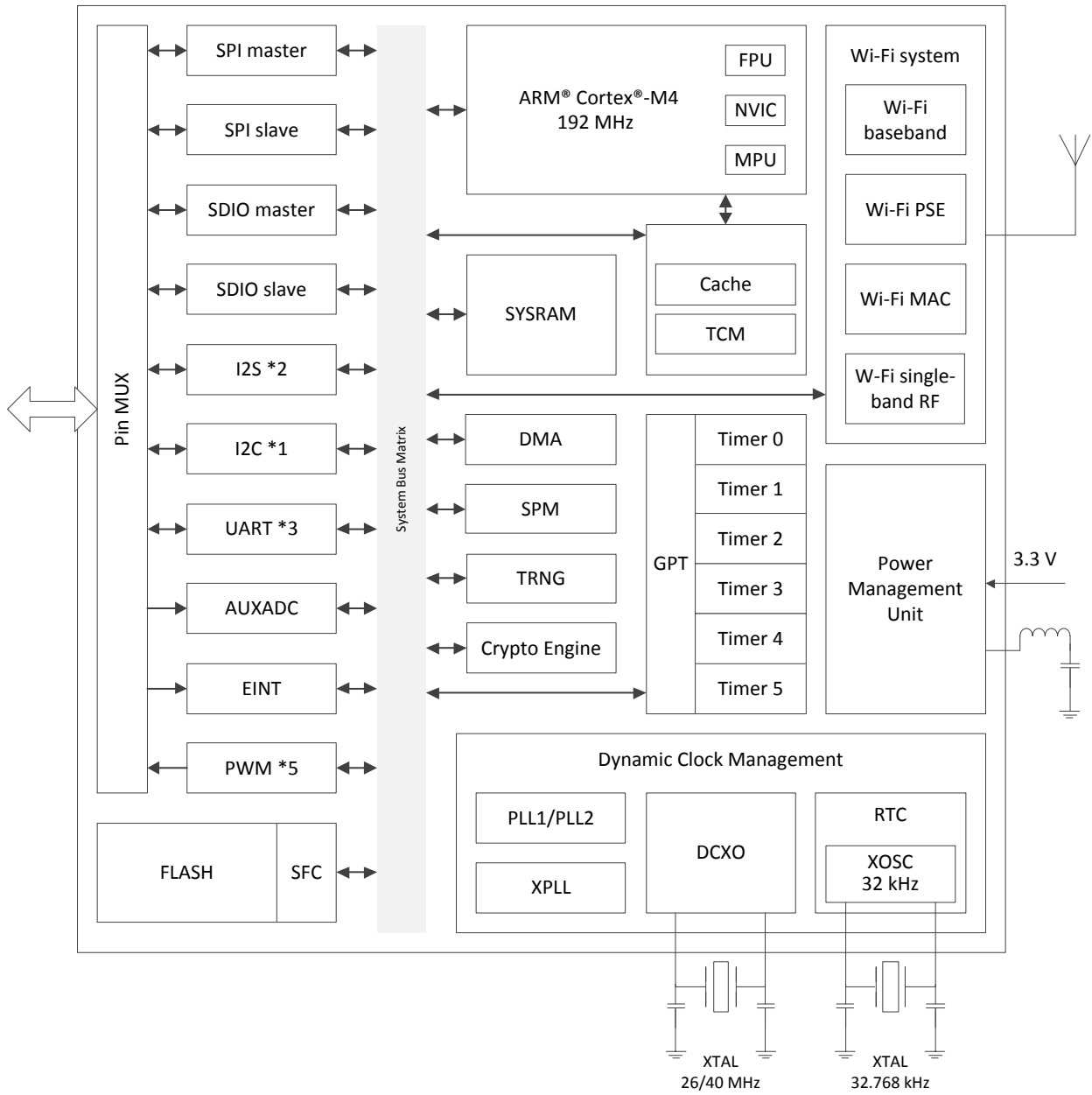
- Integrated 2.4GHz PA and LNA, and T/R switch
- Supports frequency band from 2402 to 2494MHz.
- Single-ended RFIO with integrated balun
- Supports optional external LNA and PA.

### **1.2.4. Core**

- Dedicated high-performance 32-bit RISC CPU N9 with up to 160MHz clock speed.
- Feasibility Wi-Fi host subsystem in Cortex-M4 to support custom applications.



**1.3. System block diagram**



**Figure 1.3-1. System block diagram**

## 2. Functional Overview

---

### 2.1. Host processor subsystem

#### 2.1.1. ARM® Cortex®-M4 with FPU

The Cortex-M4 with FPU is a low-power processor with 3-stage pipeline Harvard architecture. It has reduced pin count and low power consumption and delivers very high performance efficiency and low interrupt latency, making it ideal for embedded microcontroller products.

The processor incorporates:

- IEEE754-compliant single-precision floating-point computation unit (FPU).
- A Nested Vectored Interrupt Controller (NVIC) to achieve low latency interrupt processing.
- Enhanced system debugging with extensive breakpoint.
- An optional Memory Protection Unit (MPU) to ensure platform security robustness.

The Cortex-M4 executes the Thumb®-2 instruction set with 32-bit architecture, with the high code density of 8-bit and 16-bit microcontrollers. The instruction set is fully backward compatible with Cortex-M3/M0+.

MT7682 has further enhanced the Cortex-M4 with floating point processor to reduce the power by another 11% (in Dhrystone) compared to the original Cortex-M4. Low power consumption is a significant feature for IoT and Wearables application development.

#### 2.1.2. Cache controller

A configurable 32KB cache is implemented to improve the code fetch performance when CPU accesses a non-zero wait-state memory such as EMI, external flash or boot ROM through the on-chip bus.

The core cache is a small block of memory containing a copy of a small portion of cacheable data in the external memory. If CPU reads a cacheable datum, the datum will be copied to the core cache. Once CPU requests the same datum again, it can be obtained directly from the core cache (called cache hit) instead of fetching it again from the external memory to achieve zero wait-state latency.

The cache can be disabled and this block of memory can be turned into tightly coupled memory (TCM), a high-speed memory for normal data storage. The sizes of TCM and cache can be set to one of the following four configurations:

- 32KB cache, 64KB TCM
- 16KB cache, 80KB TCM
- 8KB cache, 88KB TCM
- 0KB cache, 96KB TCM

#### 2.1.3. Memory management

Three types of memories are implemented for use:

- On-die memories (SRAMs) up to 96KB at CPU clock speed with zero wait state.

- Embedded flash of 32Mbits to store programs and data.
- Embedded pseudo SRAM (PSRAM) of 32Mbits for application storage.

96KB SRAMs are composed of TCMs and L1 caches. L1 cache (up to 32KB) is implemented to improve processor access performance of the long latency memories (flash and PSRAM).

TCMs are designed for high speed, low latency and low power demanding applications. Each TCM has its own power state; active, retention or power-down. TCM must be in active state for normal read and write access. Retention state saves the SRAM content and consumes the minimum leakage current with no access. Power-down loses the content and consumes almost zero power.

The TCMs can also be accessed by other internal AHB masters like DMA or multimedia sub-system for low power applications. These applications can run on TCM without powering on PSRAM or Flash to save more power.

Boot ROM is also implemented for processor boot-up and its content is unchangeable.

#### **2.1.4. Memory protection unit (MPU)**

The Memory Protection Unit (MPU) is an optional component to manage the CPU access to memory. The MPU provides full support for:

- Protection regions (up to 8 regions and can be further divided up into 8 sub-regions).
- Overlapping protection regions, with region priority.
- Access permissions.
- Exporting memory attributes to the system.

The MPU is useful for applications where a critical code has to be protected against the misbehavior of other tasks. It can be used to define access rules, enforce privilege rules and separate processes.

#### **2.1.5. Nested Vectored Interrupt Controller (NVIC)**

The Nested Vectored Interrupt Controller (NVIC) supports up to 32 maskable interrupts and 16 interrupt lines of Cortex-M4 with 32 priority levels. The NVIC and the processor core interface are closely coupled to enable low latency interrupt processing and efficient processing of late arriving interrupts. The NVIC maintains knowledge of the stacked or nested interrupts to enable tail-chaining of interrupts. The processor supports both level and pulse interrupts with programmable active-high or low control.

#### **2.1.6. External Interrupt Controller (EIC)**

The external interrupt controller consists of up to 32 edge detectors for generating event/interrupt requests. Each input line can be independently configured to select the type (interrupt or event) and the corresponding trigger event (rising edge or falling edge or both or level). Each line can also be masked independently. A pending register maintains the status line of the interrupt requests. Up to 21 GPIOs can be connected to 21 external interrupt lines.

#### **2.1.7. Bus architecture**

To better support various IoT applications, MT7682 adopts 32-bit multi-AHB matrix to provide low-power, fast and flexible data operation. Table 2.1-1 shows the interconnections between bus masters and slaves.

- The bus masters include Cortex-M4, SPM, SPI master, SPI slave, SDIO master, SDIO slave, Crypto engine, WIFI (CONN) system and DMA.

- The bus slaves include the Always On (AO) domain APB peripherals, Power Down (PD) domain APB peripherals, TCM, SFC, EMI, SYSRAM, RTC SRAM, and WIFI (CONN) system.

**Table 2.1-1. MT7682 bus connection**

Master Slave	ARM Cortex- M4	PD DMA	SPM	SPI Master	SPI Slave	SDIO Master	SDIO Slave	Crypto Engine	CONNSYS Master
AO APB Peripherals	•	•	•					•	
PD APB Peripherals	•	•	•					•	
TCM	•	•	•					•	
EMI	•	•	•	•	•	•	•	•	•
SFC	•	•	•					•	
SYSRAM	•	•	•	•	•	•	•	•	•
RTC SRAM	•	•	•	•	•	•	•	•	•
CONNSYS	•	•	•					•	

### 2.1.8. Direct Memory Access (DMA) controller

MT7682 chipset features three Direct Memory Access (DMA) controllers, containing 16 channels in power-down domain. They manage data transfer between the peripheral devices and memory.

There are three types of DMA channels in the DMA controller – full-size DMA channel, half-size DMA channel and virtual FIFO DMA for different peripheral devices. DMA controllers support ring-buffer and double-buffer memory data transactions.

To improve bus efficiency, the DMA controllers provide an unaligned-word access function. When this function is enabled, it can automatically convert the address format from the unaligned type to aligned type, ensuring compliance with the AHB/APB protocol.

Each peripheral device is connected to a dedicated DMA channel that can configure transfer data sizes, source address and destination address by software. The DMA controllers can be used with the following peripherals:

- Two I2C interfaces
- A single HIF
- Two I2S interfaces
- Three UART interfaces

## 2.2. Boot source

There are three options of boot source:

- Serial flash
- SPI slave (to load binary from host)
- SDIO slave (to load binary from host)

The host may transmit a binary through SPI slave or SDIO slave to internal system memory (SRAM). The MCU (Cortex-M4) can execute on SRAM after transmission is complete. The boot source in boot ROM is determined according to the flowchart shown in Figure 2.2-1. HIF\_EN and HIF\_SEL can be configured at power up using by GPIO\_4 and GPIO\_13, respectively.

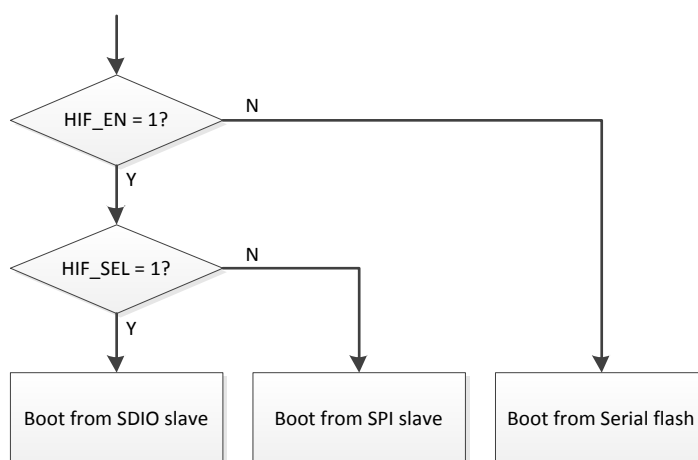


Figure 2.2-1. Boot source determination flow

## 2.3. Clock architecture

The clock controller (see below Figure 2.3-1) distributes the clocks coming from different oscillators to the core and the peripherals. It also manages clock gating for low-power modes and ensures clock robustness. It features:

- **Clock prescaler.** To get the best trade-off between speed and current consumption, the clock frequency to the CPU and peripherals can be adjusted by a programmable prescaler.
- **Safe clock switching.** Clock sources can be changed safely at runtime through a configuration register.
- **Clock management.** To reduce the power consumption, the clock controller can stop the clock to the core, individual peripherals or memory. The AHB and APB clock supports Dynamic Clock Management (DCM) with a dynamic clock slow down or gating when the bus fabric is idle.
- **System clock source.** Two different clock sources can be used to drive the master clock ( $F_{CPU}$  and  $F_{BUS}$ ):
  - 26 MHz/40MHz Crystal Oscillator (XO), that can supply reference clock for PLLs.
  - Baseband PLL1 (BBPLL1) which reference clock is XO, with a maximum frequency at 1040MHz.
  - Baseband PLL2 (BBPLL2) which reference clock is XO or divided from BBPLL1, with a fixed frequency at 960MHz.

- **Auxiliary clock source.** Three ultra-low power clock sources that can be used to drive the real-time clock. In 32k-less mode, XO32K and EOOSC32K are chosen, while in 32k mode only XOOSC32K is used:
  - 32.768 kHz low-speed external crystal (XOOSC32K).
  - 32.76 kHz or 32.745kHz low-speed internal clock divided from XO 40MHz or 26MHz (XO32K).
  - 32 kHz low-speed internal RC (EOOSC32K) with  $\pm 5\%$  variation.
- **Peripheral clock sources.** Three types of peripheral clock source options are used. Each peripheral has its own gating register:
  - Several peripherals (SDIOMST (MSDC), SPIMST and SFC) have their own clock independent from the system clock. BBPLL1 and BBPLL2, each having independent outputs allowing the highest flexibility, can generate independent clocks for the SDIOMST (MSDC), SPIMST and SFC.
  - Clock of several peripherals, including three (I2COs, a crypto engine, DMA and more, is the same as fast AHB/APB bus clock ( $F_{BUS}$ ).
  - Clock of several lower speed requirement peripherals including SEJ, AUXADC, EFUSE and more, is from F\_FXO\_CK (26MHz or 20MHz). The clock frequency of GPTIMER is from either F\_FXO\_D2\_CK (13MHz or 10MHz) or F\_RTC\_CK (32kHz).
- **Clock-out capability.**
  - Default output from CLKOUT pin is the 32kHz clock chosen from 32k or 32k-less mode. CLKOUT pin can also output F\_FXO\_CK clock (26MHz or 20MHz) or XPLL clock (26MHz, 24.576MHz or 22.5792MHz).

26MHz or 40MHz XO is selected on reset as the default CPU clock. This clock source is input to a set of cascaded PLL (BBPLL1 and BBPLL2) thus allowing to increase the CPU frequency ( $F_{CPU}$ ) up to 192MHz when V<sub>CORE</sub> is 1.15V. Several prescalers allow the configuration of the fast bus clock, the maximum frequency of the AHB and APB bus ( $F_{BUS}$ ) is 96MHz, while the maximum frequency of the low-speed bus domains is 26MHz or 20MHz (divided for 40MHz XO clock). The frequency ratio of  $F_{CPU}$  and  $F_{BUS}$  needs to be 2:1. The devices with embedded XPLL achieve better I2S performance. The XPLL can output either 24.576MHz for 48kHz base I2S sample rate or 22.5792MHz for 44.1kHz base I2S sample rate.

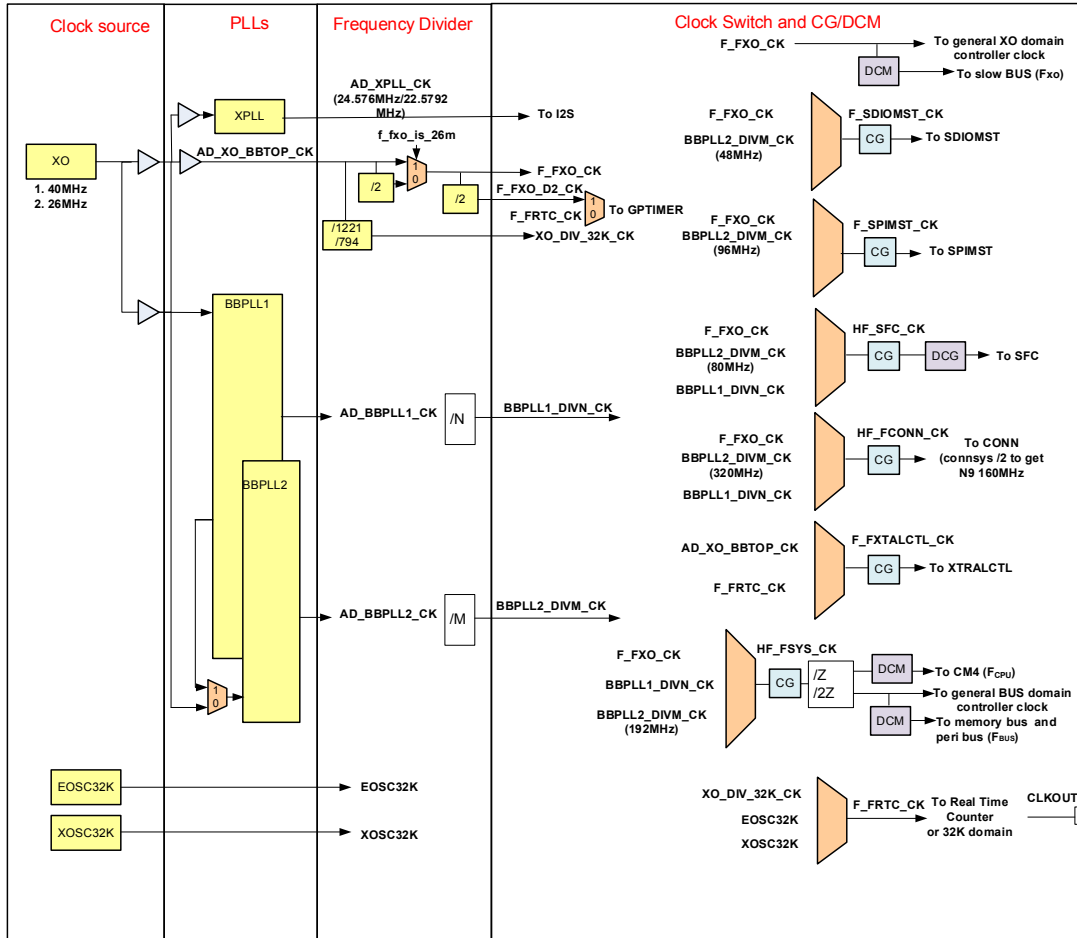


Figure 2.3-1. MT7682 clock source architecture

## 2.4. Serial interfaces

### 2.4.1. Universal Asynchronous Receiver Transmitter (UART)

MT7682 chipset houses four UART interfaces that provide full duplex serial communication between the baseband chipset and external devices. UART has both M16C450 and M16550A modes of operation compatible with a range of standard software drivers.

UARTs support baud rates from 110bps up to 921,600bps and baud rate auto-detection function. They provide hardware and software flow control of the RTS/CTS signals.

UARTs can configure data transfer lengths from 5 to 8 bits, with an optional parity bit and one or two stop bits by software. They can be served by the DMA controller.

### 2.4.2. Serial Peripheral Interface (SPI)

MT7682 chipset features one SPI master controller and one SPI slave controller to receive/transmit device data using single, dual and quad SPI protocols. The SPI controllers can communicate at up to 48 Mbps.

The chip select signal and SPI clock of SPI master controllers are configurable. The SPI controllers also support DMA mode for large amounts of data transmission.

### 2.4.3. Inter-Integrated Circuit (I2C) Interface

MT7682 chipset provides two I2C master controllers. There are three types of speed modes in the I2C controllers: standard mode (100kbps), fast mode (400kbps) and high-speed mode (3.4Mbps), supporting 7-bit/10-bit addressing and can be served by the DMA controller.

The I2C package size supports up to 1,024 bytes per transfer and 1,024 transfers per transaction in DMA mode and 8 bytes per transfer in non-DMA mode. START/STOP/REPEATED START condition can be increased to support single or multi transfer. These features can be configured by software based on design requirements.

### 2.4.4. Inter-IC Sound Interface (I2S)

MT7682 chipset provides two Inter-IC Sound Interface (I2S) controllers. The controllers can be selected as master or slave. There are two types of transfer protocols in the I2S controllers: one is the I2S protocol, supporting 24-bit/16-bit addressing and mono/stereo transaction; the other one is the TDM protocol, supporting 16-bit addressing and TDM32/TDM64/TDM128 transaction. I2S controllers can be served by the DMA controller and the sample rate can support either 16, 24, 48, 96, 192kHz or 11.025, 22.05, 44.1kHz when sharing only one internal PLL. Detailed specifications of the I2S and TDM are shown in Table 2.4-1 and Table 2.4-2.

**Table 2.4-1. I2S protocol specifications**

I2S Protocol	Bit Width	Input/output Sample
Master Mode	I2S0: 16b	XO or XPLL 26MHz: 8, 12, 16, 24, 32, 48 kHz, mono/stereo
	I2S1: 16b/24b	XPLL 22.5792MHz: 11.025, 22.05, 44.1, 88.2, 176.4 kHz, mono/stereo
		XPLL 24.576MHz: 8, 12, 16, 24, 32, 48, 96, 192 kHz, mono/stereo
Slave Mode	I2S0: 16b	XO or XPLL 26MHz: 8, 12, 16, 24, 32, 48 kHz, mono/stereo
	I2S1: 16b/24b	XPLL 22.5792MHz: 11.025, 22.05, 44.1, 88.2, 176.4 kHz, mono/stereo
		XPLL 24.576MHz: 8, 12, 16, 24, 32, 48, 96, 192 kHz, mono/stereo

**Table 2.4-2. TDM protocol specifications**

TDM Protocol	Bit Width	Input/output Sample
Master Mode	I2S0: 16b	<ul style="list-style-type: none"> <li>XO or XPLL 26MHz: 8, 12, 16, 24, 32, 48 kHz, TDM32/TDM64</li> <li>XPLL 22.5792MHz: 11.025, 22.05, 44.1, 88.2, 176.4 kHz, TDM32/TDM64</li> <li>XPLL 24.576MHz: 8, 12, 16, 24, 32, 48, 96, 192 kHz, TDM32/TDM64</li> </ul>
Slave Mode	I2S0: 16b	XO or XPLL 26MHz: 8, 12, 16, 24, 32, 48 kHz, TDM32/TDM64/TDM128 (up to 4 channels for TDM128) XPLL 22.5792MHz (either of the following): <ul style="list-style-type: none"> <li>11.025, 22.05, 44.1, 88.2 kHz, TDM32/TDM64/TDM128 (up to 4 channels for TDM128)</li> <li>176.4 kHz, TDM32/TDM64</li> </ul> XPLL 24.576MHz (either of the following): <ul style="list-style-type: none"> <li>8, 12, 16, 24, 32, 48, 96 kHz, TDM32/TDM64/TDM128 (up to 4 channels for TDM128)</li> <li>192 kHz, TDM32/TDM64</li> </ul>



### 2.4.5. SD memory card controller

The controller supports the SD memory card bus protocol as defined in SD Memory Card Specification Part 1 Physical Layer Specification version 2.0.

Furthermore, the controller also partially supports the SDIO card specification version 2.0. However, the controller can only be configured as the host of the SD memory card. Hereafter, the controller is abbreviated as the SD controller.

Main features of the controller:

- 32-bit access for control registers
- 8, 16 and 32-bit access for FIFO in PIO mode
- Built-in CRC circuit
- Supports PIO mode, basic DMA mode, and descriptor DMA mode for SD controller.
- Interrupt capabilities
- Data rate of up to 48Mbps in 1-bit mode and 48x4 Mbps in 4-bit mode. The module is targeted at 48MHz operating clock.
- Programmable serial clock rate on SD bus (256 gears)
- Card detection capabilities (MT7682 uses the EINT controller for card detection)
- Does not support SPI mode for SD memory card
- Does not support suspend/resume for SD memory card.

## 2.5. Peripherals

### 2.5.1. Pulse-Width Modulation (PWM)

There are five PWM controllers to generate pulse signals. The duty cycle, high time and low time of pulse signals can be programmed. The PWM controllers can be configured to use 40MHz, 13MHz or 32kHz clock source to support a wide range of output pulse frequencies.

### 2.5.2. General Purpose Inputs/Output (GPIO)

Each of the General Purpose Input/Output (GPIO) pins are software configurable as an output (push-pull or open-drain) or as an input (with or without pull-up or pull-down) that supports input floating with buffer gating to reduce power consumption. Most of the GPIOs are multiplexed with peripheral functions and have selectable output driving strength. The maximum toggling speeds of a single GPIO are listed in Table 2.5-1 .

If the MCU handles more than one GPIO at a time or receives an interrupt, a rapid performance degradation may occur.

Dedicated IOs operate at higher speeds depending on the peripheral or interface usage. For example, PWM IOs can output 20 MHz when V<sub>CORE</sub> is 1.15V.

**Table 2.5-1. GPIO speeds when the Cortex-M4 cache is enabled**

VCORE	Cortex-M4 speed	Maximum toggling speed of single GPIO pins
1.15V	192MHz	1MHz

VCORE	Cortex-M4 speed	Maximum toggling speed of single GPIO pins
1.15V	96MHz	500kHz
0.85V	N/A	N/A (Cortex-M4 is in deep sleep mode)

### 2.5.3. General Purpose Timer (GPT)

The general purpose timer (GPT) includes five 32-bit timers and one 64-bit timer. Each timer has four operation modes and can operate on one of the two clock sources; RTC clock (32.768kHz) and system clock (13MHz).

### 2.5.4. Real Time Clock (RTC)

The RTC module provides time and data information, as well as 32.768kHz clock. The clock is selected between three clock sources — one from an external (XOSC32) and two from an internal (XO, EOSC32). The RTC block has an independent power supply. When the MT7682 platform is at retention mode, a dedicated regulator will supply power to the RTC block. In addition to providing timing data, an alarm interrupt will be generated and can be used to power up the baseband core. Regulator interrupts corresponding to seconds, minutes, hours and days can be generated whenever the time counter value reaches the maximum value. The year span is supported until up to 2,127. The maximum day-of-month values, which depend on the leap year condition, are stored in the RTC block.

### 2.5.5. True Random Number Generator (TRNG)

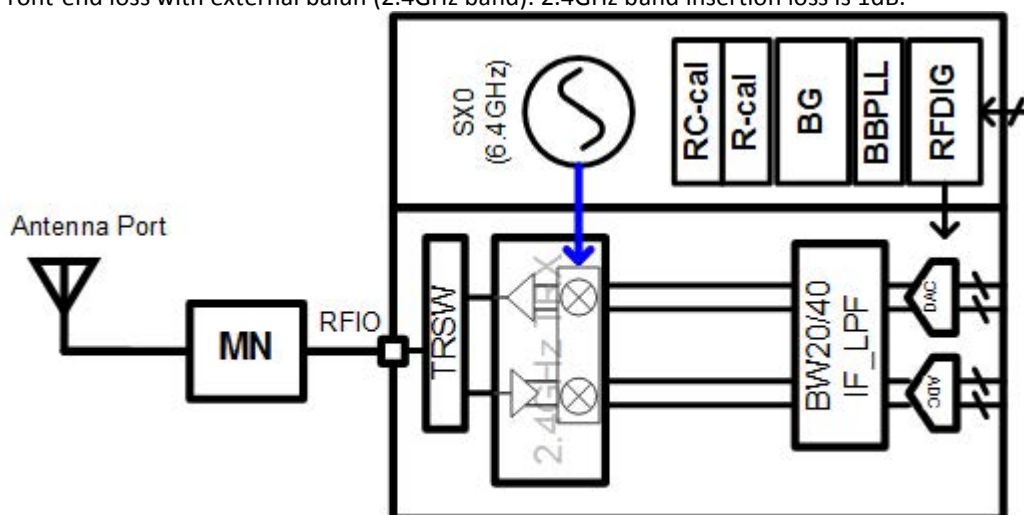
The TRNG is a device in power-down domain that generates random numbers from the ring oscillator (RO) outputs. Various types of ROs are adopted, including Hybrid Fibonacci Ring Oscillator (H-FIRO), Hybrid Ring Oscillator (H-RO) and Hybrid Galois Ring Oscillator (H-GARO). IRQ will be issued once the random data is successfully generated.

### 3. Wi-Fi RF Subsystem

#### 3.1. Wi-Fi radio characteristics

##### 3.1.1. Wi-Fi RF block diagram

Front-end loss with external balun (2.4GHz band): 2.4GHz band insertion loss is 1dB.



Note: **MN** is matching network for 50ohm impedance

Figure 3.1-1. 2.4GHz RF block diagram

##### 3.1.2. Wi-Fi 2.4GHz band RF receiver specifications

The specifications noted in the table below are measured at the antenna port including the front-end loss.

Table 3.1-1. 2.4GHz RF receiver specifications

Parameter	Description	Performance			
		Minimum	Typical	Maximum	Unit
Frequency range	Center channel frequency	2412		2484	MHz
RX sensitivity	1 Mbps CCK	-	-97.5	-	dBm
	2 Mbps CCK	-	-94.5	-	dBm
	5.5 Mbps CCK	-	-92.5	-	dBm
	11 Mbps CCK	-	-89.5	-	dBm
RX sensitivity	BPSK rate 1/2, 6 Mbps OFDM	-	-94.5	-	dBm
	BPSK rate 3/4, 9 Mbps OFDM	-	-93.3	-	dBm
	QPSK rate 1/2, 12 Mbps OFDM	-	-91.5	-	dBm
	QPSK rate 3/4, 18 Mbps OFDM	-	-89.1	-	dBm
	16QAM rate 1/2, 24 Mbps OFDM	-	-85.8	-	dBm
	16QAM rate 3/4, 36 Mbps OFDM	-	-82.4	-	dBm

Parameter	Description	Performance			
		Minimum	Typical	Maximum	Unit
	64QAM rate 1/2, 48 Mbps OFDM	-	-78.2	-	dBm
	64QAM rate 3/4, 54 Mbps OFDM	-	-77.0	-	dBm
RX Sensitivity Bandwidth=20MHz Mixed mode 800ns Guard Interval Non-STBC	MCS 0, BPSK rate 1/2	-	-93.9	-	dBm
	MCS 1, QPSK rate 1/2	-	-90.7	-	dBm
	MCS 2, QPSK rate 3/4	-	-88.3	-	dBm
	MCS 3, 16QAM rate 1/2	-	-85.3	-	dBm
	MCS 4, 16QAM rate 3/4	-	-81.8	-	dBm
	MCS 5, 64QAM rate 2/3	-	-77.4	-	dBm
	MCS 6, 64QAM rate 3/4	-	-76	-	dBm
	MCS 7, 64QAM rate 5/6	-	-74.8	-	dBm
RX Sensitivity Bandwidth =40MHz Mixed mode 800ns Guard Interval Non-STBC	MCS 0, BPSK rate 1/2	-	-90.5	-	dBm
	MCS 1, QPSK rate 1/2	-	-87.7	-	dBm
	MCS 2, QPSK rate 3/4	-	-85.2	-	dBm
	MCS 3, 16QAM rate 1/2	-	-81.7	-	dBm
	MCS 4, 16QAM rate 3/4	-	-78.6	-	dBm
	MCS 5, 64QAM rate 2/3	-	-74.0	-	dBm
	MCS 6, 64QAM rate 3/4	-	-72.7	-	dBm
	MCS 7, 64QAM rate 5/6	-	-71.5	-	dBm
Maximum Receive Level	6 Mbps OFDM	-	-10	-	dBm
	54 Mbps OFDM	-	-10	-	dBm
	MCS0	-	-10	-	dBm
	MCS7	-	-20	-	dBm
Receive Adjacent Channel Rejection	1 Mbps CCK	-	40	-	dBm
	11 Mbps CCK	-	40	-	dBm
	BPSK rate 1/2, 6 Mbps OFDM	-	34	-	dBm
	64QAM rate 3/4, 54 Mbps OFDM	-	22	-	dBm
	HT20, MCS 0, BPSK rate 1/2	-	33	-	dBm
	HT20, MCS 7, 64QAM rate 5/6	-	15	-	dBm
	HT40, MCS 0, BPSK rate 1/2	-	29	-	dBm
	HT40, MCS 7, 64QAM rate 5/6	-	9	-	dBm

### 3.1.3. Wi-Fi 2.4GHz band RF transmitter specifications

The specifications listed in Table 3.1-1 are measured at the antenna port, which includes the front-end loss.

**Table 3.1-2. 2.4GHz RF transmitter specifications**

Parameter	Description	Performance			
		Minimum	Typical	Maximum	Unit
Frequency range		2412	-	2484	MHz

Parameter	Description	Performance			
Output power with spectral mask and EVM compliance	1 Mbps CCK	-	19	-	dBm
	11 Mbps CCK	-	19	-	dBm
	6 Mbps OFDM	-	18.5	-	dBm
	54 Mbps OFDM	-	16.5	-	dBm
	HT20, MCS 0	-	17.5	-	dBm
	HT20, MCS 7	-	15.5	-	dBm
	HT40, MCS 0	-	16.5	-	dBm
	HT40, MCS 7	-	14.5	-	dBm
TX EVM	6 Mbps OFDM	-	-	-5	dB
	54 Mbps OFDM	-	-	-25	dB
	HT20, MCS 0	-	-	-5	dB
	HT20, MCS 7	-	-	-28	dB
	HT40, MCS 0	-	-	-5	dB
	HT40, MCS 7	-	-	-28	dB
Output power variation <sup>(1)</sup>	TSSI closed-loop control across all temperature ranges and channels and VSWR $\leq$ 1.5:1.	-1.5	-	1.5	dB
Carrier suppression		-	-	-30	dBc
Harmonic Output Power	2nd Harmonic	-	-45	-43	dBm/MHz
	3rd Harmonic	-	-45	-43	dBm/MHz

Note 1: VDD33 voltage is within  $\pm 5\%$  of typical value.

## 4. Power Management Unit

---

### 4.1. Overview

The power management unit (PMU) manages the power supply of the entire chip, including baseband, processor, memory, camera, vibrator, and more. There are two power input sources for MT7682:

- 1) AVDD33\_RTC for RTC timer control.

This is operated by wider input voltage range from 1.62V to 3.63V, and supports real time clock control and alarm logic. Because of the ultra-low input voltage and lower current consumption, it can efficiently enhance battery life time by alkaline or other portable batteries.

- 2) AVDD33\_BUCK for PMU control.

A single regulated 3.3V power supply is required for the MT7682. It could be from an external DC-DC converter to convert a higher voltage supply to 3.3V or boost from a lower voltage supply to 3.3V. The PMU contains Under-Voltage Lockout (UVLO) circuit, several Low Drop-Out Regulators (LDOs), a high efficiency buck converter and a reference band-gap circuit. The circuits are optimized for low quiescent current, low drop-out voltage, efficient line/load regulation, high ripple rejection and low output noise.

### 4.2. Low-power operating mode

The MT7682 power state diagram is shown in Figure 4.2-1.

In **ACTIVE** mode, the Cortex-M4 and N9 power states operate independently, and both have Idle, Active and Sleep modes. When both are in sleep mode, the chipset enters **SLEEP** mode.

In **SLEEP** mode, the PMU can be changed to low power mode to further lower the current consumption.

**RETENTION** mode provides a lower current consumption than **SLEEP** mode. It is suitable for applications that remain idle for a long period. To enter **RETENTION** mode is software configurable and to exit, use RTC timer or EINT.

**OFF** mode is controlled by the CHIP\_EN signal and in this state, only always-on PMU logics are alive to maintain the lowest current consumption.

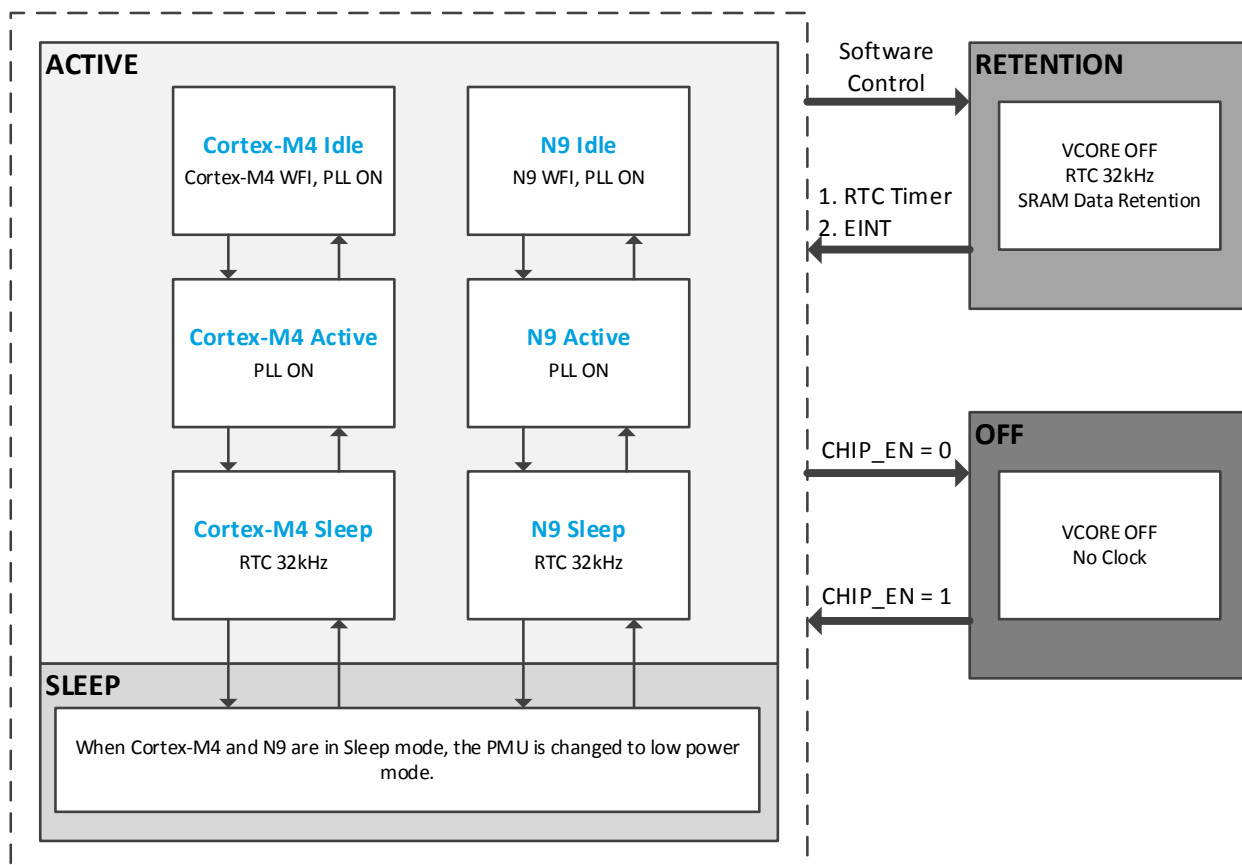


Figure 4.2-1. MT7682 Cortex-M4 and N9 power states and power modes

### 4.3. PMU Architecture

The 3.3V power source is directly supplied to the switching regulator, digital IOs and RF-related circuit. It is converted to 1.45V by the buck converter for low voltage circuits. The built-in digital LDOs and RF LDOs convert 1.45V to 1.15V for digital, RF and BBPLL core circuits. The three LDOs are CLDO, SLDO-H and MLDO. SLDO-H stands for sleep mode LDO, CLDO stands for digital core LDO, and MLDO stands for internal or external memory LDO.

In **ACTIVE** mode, the buck converter converts 1.45V output to other subsystems in MT7682. It can operate in either PFM mode or PWM mode. With an external on-board LC filter (2.2μH inductor and 10μF cap), it outputs a low ripple 1.45V to Wi-Fi RF system and CLDO input power. In **ACTIVE** mode, CLDO is under BUCK domain, and then it outputs 1.15V for whole chip digital logics.

In **SLEEP** mode, BUCK output voltage will be kept by SLDO-H. The SLDO-H also generates 1.45V output voltage to Wi-Fi RF system and CLDO input power. While MT7682 is in **SLEEP** mode, CLDO will reduce its output level from 1.15V to 0.85V for whole chip digital logics used to reduce power consumption.

In **RETENTION** mode, BUCK, CLDO, SLDO-H and MLDO will be shut down. During this mode, only always-on PMU logics, RTC timer controller and retention SRAM are alive to keep lower current consumption.

Once MT7682 goes into **OFF** mode (controlled by CHIP\_EN), BUCK, CLDO, SLDO-H, MLDO and RTC controller will be shut down. During this mode, only some PMU AO domain blocks are alive to keep lowest current consumption.

### 4.4. Power performance summary

Table 4.4-1 lists example current consumptions in VBAT domain.

**Table 4.4-1. Current consumption in different power modes**

Operation Mode		Test Conditions <sup>(1)</sup>	Current Consumptions <sup>(2)</sup>	Unit	
Power Mode	Scenario				
OFF	OFF	<ul style="list-style-type: none"> <li>CHIP_EN keeps low</li> </ul>	< 0.5	μA	
RETENTION	RETENTION	<ul style="list-style-type: none"> <li>RTC timer</li> <li>0KB SRAM data retention</li> </ul>	2.7	μA	
		<ul style="list-style-type: none"> <li>RTC timer</li> <li>8KB SRAM data retention</li> </ul>	4.7	μA	
SLEEP	SLEEP_ext_32Khz	<ul style="list-style-type: none"> <li>Cortex-M4 in sleep state</li> <li>TCM 96KB SRAM is retained</li> <li>XTAL 32kHz</li> </ul>	80	μA	
	SLEEP_int_32Khz	<ul style="list-style-type: none"> <li>Cortex-M4 in sleep state</li> <li>TCM 96KB SRAM is retained</li> <li>Internal 32kHz</li> </ul>	350	μA	
ACTIVE	Wi-Fi TX	<ul style="list-style-type: none"> <li>CCK 19dBm</li> <li>N9 in idle state</li> <li>Cortex-M4 in sleep state</li> <li>TCM 96KB SRAM is retained</li> <li>XTAL 32kHz</li> </ul>	248	mA	
		<ul style="list-style-type: none"> <li>OFDM 16.5dBm</li> <li>N9 in idle state</li> <li>Cortex-M4 in active state</li> <li>TCM 96KB SRAM is retained</li> <li>XTAL 32kHz</li> </ul>	220	mA	
	Wi-Fi RX	<ul style="list-style-type: none"> <li>HT20_MCS7</li> <li>N9 in active state</li> <li>Cortex-M4 in active state</li> <li>XTAL 32kHz</li> </ul>	42	mA	
		<ul style="list-style-type: none"> <li>HT20_MCS7</li> <li>N9 in idle state</li> <li>Cortex-M4 in sleep state</li> <li>XTAL 32kHz</li> </ul>	21	mA	
	ACTIVE & SLEEP	DTIM = 1	<ul style="list-style-type: none"> <li>Cortex-M4 in sleep state</li> <li>TCM 96KB SRAM is retained</li> <li>XTAL 32kHz</li> </ul>	620	μA

<sup>(1)</sup> No SYSRAM data is retained in these scenarios.

<sup>(2)</sup> Conditions: VBAT at 3.3v, VDDIO at 3.3V, 25°C, Typical corner IC, XTAL at 26MHz



## 5. Pin Description

### 5.1. MT7682 pin list

For MT7682S, a QFN 5mm\*5mm, 40-pin, 0.4mm pitch package is offered. Pin-outs and the top view for this package are shown in Figure 5.1-1.

		40	39	38	37	36	35	34	33	32	31		
		AVSS33_WF0_G_PA_R	AVDD15_WF0_TRX	AVDD15_XO	XO	GPIO0	GPIO1	GPIO3	GPIO2	GPIO4	DVDD_CORE		
1	AVDD33_WF0_G_TX											DVDD_IO_1	30
2	WF0_G_RFIO											GPIO21	29
3	AVDD33_WF0_G_PA											GPIO22	28
4	GPIO17											DVDD_MLDO	27
5	GPIO16											LXBK	26
6	GPIO15											AVSS33_BUCK	25
7	GPIO14											AVDD33_BUCK	24
8	DVDD_IO_0											AVDD15_CLDO	23
9	GPIO13											AVDD12_CLDO	22
10	GPIO12											AVDD18_MLDO	21
		GPIO11	DVDD_CORE	XIN	XOUT	RTC_EINT	AVDD33_VRTC	EXT_PWR_EN	AVSS	CHIP_EN	AVDD33_MISC	MT7682	
		11	12	13	14	15	16	17	18	19	20		

Figure 5.1-1. MT7682S pin diagram and top view

#### 5.1.1. MT7682 pin coordination

Table 5.1-1. MT7682S pin coordinates

Pin#	Net name	Pin#	Net name	Pin#	Net name
1	AVDD33_WF0_G_TX	2	WF0_G_RFIO	3	AVDD33_WF0_G_PA
4	GPIO17	5	GPIO16	6	GPIO15
7	GPIO14	8	DVDD_IO_0	9	GPIO13
10	GPIO12	11	GPIO11	12	DVDD_CORE
13	XIN	14	XOUT	15	RTC_EINT
16	AVDD33_VRTC	17	EXT_PWR_EN	18	AVSS

Pin#	Net name	Pin#	Net name	Pin#	Net name
19	CHIP_EN	20	AVDD33_MISC	21	AVDD18_MLDO
22	AVDD12_CLDO	23	AVDD15_CLDO	24	AVDD33_BUCK
25	AVSS33_BUCK	26	LXBK	27	DVDD_MLDO
28	GPIO22	29	GPIO21	30	DVDD_IO_1
31	DVDD_CORE	32	GPIO4	33	GPIO2
34	GPIO3	35	GPIO1	36	GPIO0
37	XO	38	AVDD15_XO	39	AVDD15_WF0_TRX
40	AVSS33_WF0_G_PA_R				

## 5.2. MT7682 pins

**Table 5.2-1. Acronym for pin types and I/O structure**

Name	Abbreviation	Description
Pin Type	AI	Analog input
	AO	Analog output
	AIO	Analog bi-direction
	DI	Digital input
	DO	Digital output
	DIO	Digital bi-direction
	P	Power
	G	Ground
IO Structure	TYPE0	Pull-up/down 3.63V tolerance
	TYPE1	Pull-up/down 5V tolerance
	TYPE2	Pull-up/down 5V tolerance SDIO characteristic support
	TYPE3	Pull-up/down 5V tolerance Analog input/output

**Table 5.2-2. MT7682 pin function description and power**

Pin Number	Pin Name	Pin Type	I/O Structure	Pin Description	Alternate Pin Functions	Power domain
Real-time clock						

Pin Number	Pin Name	Pin Type	I/O Structure	Pin Description	Alternate Pin Functions	Power domain
15	RTC_EINT	DIO	TYPE0	Dedicate EINT input in RTC	-	AVDD33_VRTC
14	XOUT	AIO	-	Input pin for 32K crystal	-	AVDD33_VRTC
13	XIN	AIO	-	Input pin for 32K crystal	-	AVDD33_VRTC
<b>Wi-Fi radio interface</b>						
37	XO	AI	-	DCXO 26/40 MHz input	-	AVDD15_XO
39	AVDD15_WF0_TRX	P	-	Wi-Fi TRX 1.5V power input	-	-
1	AVDD33_WF0_G_TX	P	-	Wi-Fi TX 3.3V power input	-	-
3	AVDD33_WF0_G_PA	P	-	Wi-Fi PA 3.3V power input (V <sub>RF</sub> )	-	-
40	AVSS33_WF0_G_PA_R	G	-	Wi-Fi PA ground	-	-
2	WF0_G_RFIO	AIO	-	Wi-Fi RF IO	-	AVDD33_WF0_G_PA (AO)/ AVDD15_WF0_TRX (AI)
38	AVDD15_XO	P	-	XO 1.5V power input	-	-
<b>Power management unit</b>						
19	CHIP_EN	AI	-	Chip enable	-	AVDD33_VRTC
17	EXT_PWR_EN	AO	-	PMU enable	-	AVDD33_VRTC
20	AVDD33_MISC	P	-	Power input	-	-
16	AVDD33_VRTC	P	-	RTC domain power supply (V <sub>RTC</sub> )	-	-
21	AVDD18_MLDO	P	-	MLDO power output for SF/PSRAM	-	-
23	AVDD15_CLDO	P	-	CLDO power input from BUCK	-	-
26	LXBK	P	-	SW node for BUCK	-	-
25	AVSS33_BUCK	G	-	GND of AVDD33_BUCK	-	-
24	AVDD33_BUCK	P	-	Buck power input (V <sub>BAT</sub> )	-	-
22	AVDD12_CLDO	P	-	CLDO power output for core power	-	-
<b>General purpose I/O</b>						
36	GPIO0	DIO	TYPE3	General purpose input/output, Pin 0	UART (1) I2C (1) I2S Master/Slave CM4 JTAG External frontend support BT_PRI1 PWM (0)	DVDD_IO_1

Pin Number	Pin Name	Pin Type	I/O Structure	Pin Description	Alternate Pin Functions	Power domain
35	GPIO1	DIO	TYPE3	General purpose input/output, Pin 1	UART (1) I2C (1) I2S Master/Slave Cortex-M4 JTAG External frontend support BT_PRI3 PWM (1)	DVDD_IO_1
33	GPIO2	DIO	TYPE3	General purpose input/output, Pin 2	UART (1) PWM (0) I2S Master/Slave Cortex-M4JTAG CLKO0 BT_PRI0 External frontend support	DVDD_IO_1
34	GPIO3	DIO	TYPE3	General purpose input/output, Pin 3	UART (1) PWM (1) I2S Master/Slave CM4 JTAG External frontend support	DVDD_IO_1
32	GPIO4	DIO	TYPE1	General purpose input/output, Pin 4	SPI Slave (0) SPI Master (0) Cortex-M4JTAG External frontend support	DVDD_IO_1
11	GPIO11	DIO	TYPE2	General purpose input/output, Pin 11	PWM (3) UART (2) SDIO Master SDIO Slave CLKO2 External frontend support I2S Master/Slave	DVDD_IO_0
10	GPIO12	DIO	TYPE2	General purpose input/output, Pin 12	SPI Slave (1) SPI Master (1) UART (2) SDIO Master SDIO Slave External frontend support	DVDD_IO_0

Pin Number	Pin Name	Pin Type	I/O Structure	Pin Description	Alternate Pin Functions	Power domain
					I2S Master/Slave	
9	GPIO13	DIO	TYPE2	General purpose input/output, Pin 13	SPI Slave (1) SPI Master (1) UART (2) SDIO Master SDIO Slave CLKO4 I2S Master/Slave	DVDD_IO_0
7	GPIO14	DIO	TYPE2	General purpose input/output, Pin 14	SPI Slave (1) SPI Master (1) I2S Master/Slave SDIO Master SDIO Slave PWM (4) CLKO4	DVDD_IO_0
6	GPIO15	DIO	TYPE2	General purpose input/output, Pin 15	SPI Slave (1) SPI Master (1) I2S Master/Slave SDIO Master SDIO Slave I2C (1) PWM (3)	DVDD_IO_0
5	GPIO16	DIO	TYPE2	General purpose input/output, Pin 16	SPI Slave (1) SPI Master (1) I2S Master/Slave SDIO Master SDIO Slave I2C (1)	DVDD_IO_0
4	GPIO17	DIO	TYPE3	General purpose input/output, Pin 17	SPI Slave (1) SPI Master (1) I2S Master/Slave PWM (5) CLKO3 AUXADC0 BT_PRI0	DVDD_IO_0
29	GPIO21	DIO	TYPE3	General purpose input/output, Pin 21	UART (0) I2C (1) PWM (5)	DVDD_IO_1
28	GPIO22	DIO	TYPE3	General purpose input/output, Pin 22	UART (0)	DVDD_IO_1

**Digital IO power**

Pin Number	Pin Name	Pin Type	I/O Structure	Pin Description	Alternate Pin Functions	Power domain
30	DVDD_IO_1	P	-	Power input of GPIO left group (V <sub>IO_1</sub> )	-	-
8	DVDD_IO_0	P	-	Power input of GPIO right group (V <sub>IO_0</sub> )	-	-
27	DVDD_MLDO	P	-	Power input of SF/EMI group	-	-
<b>Digital core power</b>						
12	DVDD_CORE	P	-	Core power	-	-
31	DVDD_CORE	P	-	Core power	-	-

### 5.3. MT7682 pin multiplexing

The MT7682 platform offers 14 GPIO pins. By setting up the control registers, the MCU software can control the direction, the output value and read the input values on the pins. The GPIOs and GPOs are multiplexed with other functions to reduce the pin count. To facilitate application use, the software can configure which clock to send outside the chip. There are five clock-out ports embedded in 48 GPIO pins and each clock-out can be programmed to output an appropriate clock source. In addition, when two GPIOs function for the same peripheral IP, the smaller GPIO serial number has higher priority over the bigger one.

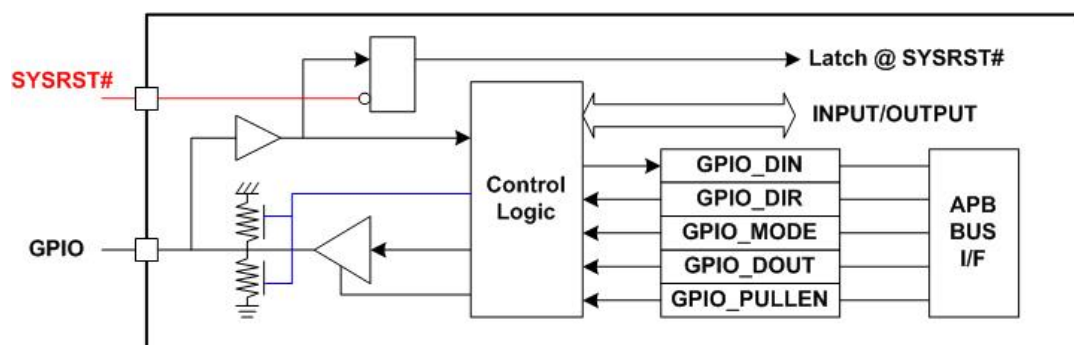


Figure 5.3-1. GPIO block diagram

MT7682 has rich peripheral functions and the peripheral signals are shown in Table 5.3-1. The SDIO, SPI Master and SPI Slave can support signal group allocate on different pins.

Table 5.3-1. Peripheral functions and signals

Alternate Function	Signal List
SDIO Master	MA_MCO_CK MA_MCO_CM0 MA_MCO_DA0 MA_MCO_DA1 MA_MCO_DA2 MA_MCO_DA3

Alternate Function	Signal List
SDIO Slave	SLV_MC0_CK SLV_MC0_CM0 SLV_MC0_DA0 SLV_MC0_DA1 SLV_MC0_DA2 SLV_MC0_DA3
UART (0)	URXD0 UTXD0 UORTS UOCTS
UART (1)	URXD1 UTXD1 U1RTS U1CTS
UART (2)	URXD2 UTXD2 U2RTS U2CTS
I2C (1)	SCL1 SDA1
I2S Master/Slave	I2S_RX I2S_TX I2S_WS I2S_CK
I2S Master/Slave	TDM_RX TDM_TX TDM_WS TDM_CK TDM_MCLK
SPI Master (0)	SPIMST_A_SCK SPIMST_A_CS SPIMST_A_SIO0 SPIMST_A_SIO1 SPIMST_A_SIO2 SPIMST_A_SIO3
SPI Master (1)	SPIMST_B_SCK SPIMST_B_CS SPIMST_B_SIO0 SPIMST_B_SIO1 SPIMST_B_SIO2 SPIMST_B_SIO3
SPI Slave (0)	SPISLV_A_SCK SPISLV_A_CS SPISLV_A_SIO0

Alternate Function	Signal List
	SPISLV_A_SIO1 SPISLV_A_SIO2 SPISLV_A_SIO3
SPI Slave (1)	SPISLV_B_SCK SPISLV_B_CS SPISLV_B_SIO0 SPISLV_B_SIO1 SPISLV_B_SIO2 SPISLV_B_SIO3
PWM (0)	PWM0
PWM (1)	PWM1
PWM (3)	PWM3
PWM (4)	PWM4
PWM (5)	PWM5
AUXADC	AUXADCIN_0
CM4 JTAG	JTDI JTMS JTCK JTRST_B JTDO
External frontend support	WIFI_ANT_SEL0 WIFI_ANT_SEL1 WIFI_ANT_SEL2 WIFI_ANT_SEL3 WIFI_ANT_SEL4



**Table 5.3-2. PinMux description**

Ball Name	Aux Func.0	Aux Func.1	Aux Func.2	Aux Func.3	Aux Func.4	Aux Func.5	Aux Func.6	Aux Func.7	Aux Func.8	Aux Func.9	Aux Func.10
GPIO_0	GPIO0	EINT0		U1RTS	SCL1	I2S_RX	JTDI		WIFI_ANT_S ELO	BT_PRI1	PWM0
GPIO_1	GPIO1	EINT1		U1CTS	SDA1	I2S_TX	JTMS		WIFI_ANT_S EL1	BT_PRI3	PWM1
GPIO_2	GPIO2	EINT2		URXD1	PWM0	I2S_WS	JTCK	CLKO0		BT_PRI0	WIFI_ANT_S EL4
GPIO_3	GPIO3	EINT3		UTXD1	PWM1	I2S_CK	JTRST_B			WIFI_ANT_S EL2	I2S_CK
GPIO_4	GPIO4	SPISLV_A_SIO2	SPIMST_A_SIO2	EINT4		I2S_MCLK	JTDO			WIFI_ANT_S EL3	I2S_MCLK
GPIO_11	GPIO11	EINT11	PWM3	URXD2	MA_MCO_CK	SLV_MCO_CK	CLKO2			WIFI_ANT_S ELO	I2S_RX
GPIO_12	GPIO12	SPISLV_B_SIO3	SPIMST_B_SIO3	UTXD2	MA_MCO_C M0	SLV_MCO_C M0	EINT12			WIFI_ANT_S EL1	I2S_TX
GPIO_13	GPIO13	SPISLV_B_SIO2	SPIMST_B_SIO2	U2RTS	MA_MCO_D A0	SLV_MCO_D A0	CLKO4		EINT13		I2S_WS
GPIO_14	GPIO14	SPISLV_B_SIO1	SPIMST_B_SIO1	TDM_RX	MA_MCO_D A1	SLV_MCO_D A1	PWM4		EINT14		CLKO4
GPIO_15	GPIO15	SPISLV_B_SIO0	SPIMST_B_SIO0	TDM_TX	MA_MCO_D A2	SLV_MCO_D A2	SCL1		EINT15		PWM3
GPIO_16	GPIO16	SPISLV_B_SCK	SPIMST_B_SCK	TDM_WS	MA_MCO_D A3	SLV_MCO_D A3	SDA1		EINT16		
GPIO_17	GPIO17	SPISLV_B_CS	SPIMST_B_CS	TDM_CK	PWM5	CLKO3	AUXADC0		EINT17		BT_PRI0
GPIO_21	GPIO21	URXD0	EINT19	SCL1		PWM5					
GPIO_22	GPIO22	UTXD0	EINT20								

## 6. Electrical Characteristics

### 6.1. Absolute maximum ratings

**Table 6.1-1. Absolute maximum ratings for power supply**

Symbol or pin name	Description	Min.	Max.	Unit
AVDD33_MISC	Power input	-0.3	3.63	V
AVDD33_VRTC	RTC domain power supply ( $V_{RTC}$ )	-0.3	3.63	V
AVDD18_MLDO	MLDO power output for SF/PSRAM	-0.3	3.63	V
AVDD15_CLDO	CLDO power input from BUCK	-0.3	1.595	V
AVDD33_BUCK	Buck power input ( $V_{BAT}$ )	-0.3	3.63	V
AVDD12_CLDO	CLDO power output for core power	-0.3	1.265	V

**Table 6.1-2. Absolute maximum ratings for I/O power supply**

Symbol or pin name	Description	Min.	Typ.1	Typ.2	Max.	Unit
DVDD_IO_0	Power supply for GPIO group 0	1.62	1.8	3.3	3.63	V
DVDD_IO_1	Power supply for GPIO group 1	1.62	1.8	3.3	3.63	V
DVDD_MLDO	Power supply for SF/EMI IO 1.8V group	1.62	1.8	-	1.98	V

**Table 6.1-3. Absolute maximum ratings for voltage input**

Symbol or pin name	Description	Min.	Max.	Unit
VIN0	Digital input voltage for IO Type 0	-0.3	3.63	V
VIN1	Digital input voltage for IO Type 1	-0.3	5.5	V
VIN2	Digital input voltage for IO Type 2	-0.3	5.5	V
VIN3	Digital input voltage for IO Type 3	-0.3	5.5	V

**Table 6.1-4. Absolute maximum ratings for storage temperature**

Symbol or pin name	Description	Min.	Max.	Unit
Tstg	Storage temperature	-55	125	°C

### 6.2. Operating conditions

#### 6.2.1. General operating conditions

**Table 6.2-1. General operating conditions**

Item	Description	Condition	Min.	Typ.	Max.	Unit
F <sub>CPU</sub>	Internal Cortex-M4 & TCM & Cache clock	VCORE = 1.15V	0	-	192	MHz

Item	Description	Condition	Min.	Typ.	Max.	Unit
F <sub>MEMS</sub>	Internal memory (SFC and EMI) related AHB and APB clock. Synchronous with F <sub>CPU</sub> .	V <sub>CORE</sub> = 1.15V	0	-	96	MHz

**Table 6.2-2. Recommended operating conditions for power supply**

Symbol or pin name	Description	Min.	Typ.	Max.	Unit
AVDD33_MISC	Power input	2.97	3.3	3.63	V
AVDD33_VRTC	RTC domain power supply (V <sub>RTC</sub> )	1.62	3.3	3.63	V
AVDD18_MLDO	MLDO power output for SF/PSRAM	1.62	1.8	1.98	V
AVDD15_CLDO	CLDO power input from BUCK	1.305	1.45	1.595	V
AVDD33_BUCK	Buck power input (V <sub>BAT</sub> )	2.97	3.3	3.63	V
AVDD12_CLDO	CLDO power output for core power	1.035	1.15	1.265	V

**Table 6.2-3. Recommended operating conditions for voltage input**

Symbol or pin name	Description	Min.	Typ.	Max.	Unit
VIN0	Digital input voltage for IO Type 0	-0.3	-	DVDIO+0.3	V
VIN1	Digital input voltage for IO Type 1	-0.3	-	DVDIO+0.3	V
VIN2	Digital input voltage for IO Type 2	-0.3	-	DVDIO+0.3	V
VIN3	Digital input voltage for IO Type 3	-0.3	-	DVDIO+0.3	V

**Table 6.2-4. Recommended operating conditions for operating temperature**

Symbol or pin name	Description	Min.	Typ.	Max.	Unit
T <sub>c</sub>	Operating temperature	-30	-	85	°C

## 6.2.2. Input or output port characteristics

**Table 6.2-5. Electrical characteristics**

Symbol	Description	Condition	Min.	Typ.	Max.	Unit
DIIH0	Digital high input current for IO Type 0	<ul style="list-style-type: none"> <li>PU/PD disabled</li> <li>DVDIO = 3.3, 2.8, 1.8V</li> <li>DVDIO * 0.65 &lt; VIN0 &lt; DVDIO + 0.3V</li> </ul>	-5	-	5	μA
		<ul style="list-style-type: none"> <li>PU enabled</li> <li>DVDIO = 3.3, 2.8, 1.8V</li> <li>DVDIO * 0.75 &lt; VIN0 &lt; DVDIO</li> </ul>	-35	-	5	μA

Symbol	Description	Condition	Min.	Typ.	Max.	Unit
		<ul style="list-style-type: none"> <li>• PD enabled</li> <li>• DVDIO = 3.3, 2.8, 1.8V</li> <li>• DVDIO * 0.75 &lt; VIN0 &lt; DVDIO</li> </ul>	7	-	70	μA
DIIL0	Digital low input current for IO Type 0	<ul style="list-style-type: none"> <li>• PU/PD disabled</li> <li>• DVDIO = 3.3, 2.8, 1.8V</li> <li>• -0.3V &lt; VIN0 &lt; DVDIO * 0.35</li> </ul>	-5	-	5	μA
		<ul style="list-style-type: none"> <li>• PU enabled,</li> <li>• DVDIO = 3.3, 2.8, 1.8V</li> <li>• 0 &lt; VIN0 &lt; DVDIO * 0.25</li> </ul>	-60	-	-6	μA
		<ul style="list-style-type: none"> <li>• PD enabled,</li> <li>• DVDIO = 3.3, 2.8, 1.8V</li> <li>• 0 &lt; VIN0 &lt; DVDIO * 0.25</li> </ul>	-5	-	40	μA
DIOH0	Digital high output current for IO Type 0	<ul style="list-style-type: none"> <li>• DVOH = 2.805V</li> <li>• DVDIO = 3.3V</li> <li>• Maximum driving mode</li> </ul>	24	-	-	mA
		<ul style="list-style-type: none"> <li>• DVOH = 2.38V</li> <li>• DVDIO = 2.8V</li> <li>• Maximum driving mode</li> </ul>	20	-	-	mA
		<ul style="list-style-type: none"> <li>• DVOH = 1.53V</li> <li>• DVDIO = 1.8V</li> <li>• Maximum driving mode</li> </ul>	8	-	-	mA
DIOL0	Digital low output current for IO Type 0	<ul style="list-style-type: none"> <li>• DVOL = 0.495V</li> <li>• DVDIO = 3.3V</li> <li>• Maximum driving mode</li> </ul>	24	-	-	mA
		<ul style="list-style-type: none"> <li>• DVOL = 0.442V</li> <li>• DVDIO = 2.8V</li> <li>• Maximum driving mode</li> </ul>	20	-	-	mA
		<ul style="list-style-type: none"> <li>• DVOL = 0.27V</li> <li>• DVDIO = 1.8V</li> </ul>	8	-	-	mA

Symbol	Description	Condition	Min.	Typ.	Max.	Unit
		<ul style="list-style-type: none"> <li>Maximum driving mode</li> </ul>				
DRPU0	Digital I/O pull-up resistance for IO Type 0	<ul style="list-style-type: none"> <li>DVDIO = 3.3V</li> <li>VIN = 0V</li> </ul>	40	85	190	kΩ
		<ul style="list-style-type: none"> <li>DVDIO = 2.8V</li> <li>VIN = 0</li> </ul>	40	85	190	kΩ
		<ul style="list-style-type: none"> <li>DVDIO = 1.8V</li> <li>VIN = 0V</li> </ul>	80	160	320	kΩ
DRPD0	Digital I/O pull-down resistance for IO Type 0	<ul style="list-style-type: none"> <li>DVDIO = 3.3V</li> <li>VIN = 3.3V</li> </ul>	40	85	190	kΩ
		<ul style="list-style-type: none"> <li>DVDIO = 2.8V</li> <li>VIN = 2.8V</li> </ul>	40	85	190	kΩ
		<ul style="list-style-type: none"> <li>DVDIO = 1.8V</li> <li>VIN = 1.8V</li> </ul>	80	160	320	kΩ
DVOH0	Digital output high voltage for IO Type 0	<ul style="list-style-type: none"> <li>DVDIO = 3.3V</li> </ul>	2.4	-	-	V
		<ul style="list-style-type: none"> <li>DVDIO = 2.8V</li> </ul>	1.89	-	-	V
		<ul style="list-style-type: none"> <li>DVDIO = 1.8V</li> </ul>	1.215	-	-	V
DVOL0	Digital output low voltage for IO Type 0	<ul style="list-style-type: none"> <li>DVDIO = 3.3V</li> </ul>	-	-	0.495	V
		<ul style="list-style-type: none"> <li>DVDIO = 2.8V</li> </ul>	-	-	0.42	V
		<ul style="list-style-type: none"> <li>DVDIO = 1.8V</li> </ul>	-	-	0.27	V
DIIH1	Digital high input current for IO Type 1	<ul style="list-style-type: none"> <li>PU/PD disabled</li> <li>DVDIO = 3.3, 2.8, 1.8V</li> <li>DVDIO * 0.65 &lt; VIN1 &lt; DVDIO + 0.3V</li> </ul>	-5	-	5	μA
		<ul style="list-style-type: none"> <li>DVDIO = 3.3V</li> <li>4.5V &lt; VIN1 &lt; 5.5V</li> </ul>	-5	-	5	μA
		<ul style="list-style-type: none"> <li>PU enabled</li> <li>DVDIO = 3.3, 2.8, 1.8V</li> <li>DVDIO * 0.75 &lt; VIN1 &lt; DVDIO</li> </ul>	-35		5	μA
		<ul style="list-style-type: none"> <li>PD enabled</li> <li>DVDIO = 3.3, 2.8, 1.8V</li> <li>DVDIO * 0.75 &lt; VIN1 &lt; DVDIO</li> </ul>	7		70	μA
DII L1	Digital low input current for IO Type 1	<ul style="list-style-type: none"> <li>PU/PD disabled</li> <li>DVDIO = 3.3, 2.8,</li> </ul>	-5	-	5	μA

Symbol	Description	Condition	Min.	Typ.	Max.	Unit
		1.8V • $-0.3V < VIN1 < DVDIO * 0.35$				
		• PU enabled • DVDIO = 3.3, 2.8, 1.8V • $0 < VIN1 < DVDIO * 0.25$	-60	-	-6	μA
		• PD enabled • DVDIO = 3.3, 2.8, 1.8V • $0 < VIN1 < DVDIO * 0.25$	-5	-	40	μA
DIOH1	Digital high output current for IO Type 1	• DVOH = 2.805V • DVDIO = 3.3V • Maximum driving mode	24	-	-	mA
		• DVOH = 2.38V • DVDIO = 2.8V • Maximum driving mode	20	-	-	mA
		• DVOH = 1.53V • DVDIO = 1.8V • Maximum driving mode	8	-	-	mA
DIOL1	Digital low output current for IO Type 1	• DVOL = 0.495V • DVDIO = 3.3V • Maximum driving mode	24	-	-	mA
		• DVOL = 0.442V • DVDIO = 2.8V • Maximum driving mode	20	-	-	mA
		• DVOL = 0.27V • DVDIO = 1.8V • Maximum driving mode	8	-	-	mA
DRPU1	Digital I/O pull-up resistance for IO Type 1	• DVDIO = 3.3V • VIN = 0V	40	85	190	kΩ
		• DVDIO = 2.8V • VIN = 0V	40	85	190	kΩ
		• DVDIO = 1.8V	80	160	320	kΩ

Symbol	Description	Condition	Min.	Typ.	Max.	Unit
		<ul style="list-style-type: none"> <li>VIN = 0V</li> </ul>				
DRPD1	Digital I/O pull-down resistance for IO Type 1	<ul style="list-style-type: none"> <li>DVDIO = 3.3V</li> <li>VIN = 3.3V</li> </ul>	40	85	190	kΩ
		<ul style="list-style-type: none"> <li>DVDIO = 2.8V</li> <li>VIN = 2.8V</li> </ul>	40	85	190	kΩ
		<ul style="list-style-type: none"> <li>DVDIO = 1.8V</li> <li>VIN = 1.8V</li> </ul>	80	160	320	kΩ
DVOH1	Digital output high voltage for IO Type 1	<ul style="list-style-type: none"> <li>DVDIO = 3.3V</li> </ul>	2.4	-	-	V
		<ul style="list-style-type: none"> <li>DVDIO = 2.8V</li> </ul>	1.89	-	-	V
		<ul style="list-style-type: none"> <li>DVDIO = 1.8V</li> </ul>	1.215	-	-	V
DVOL1	Digital output low voltage for IO Type 1	<ul style="list-style-type: none"> <li>DVDIO = 3.3V</li> </ul>	-	-	0.495	V
		<ul style="list-style-type: none"> <li>DVDIO = 2.8V</li> </ul>	-	-	0.42	V
		<ul style="list-style-type: none"> <li>DVDIO = 1.8V</li> </ul>	-	-	0.27	V
DIIH2	Digital high input current for IO Type 2	<ul style="list-style-type: none"> <li>PU/PD disabled</li> <li>DVDIO = 3.3, 2.8, 1.8V</li> <li>DVDIO * 0.65 &lt; VIN2 &lt; DVDIO + 0.3V</li> </ul>	-5	-	5	μA
		<ul style="list-style-type: none"> <li>DVDIO = 3.3V</li> <li>4.5V &lt; VIN2 &lt; 5.5V</li> </ul>	-5	-	5	μA
		<ul style="list-style-type: none"> <li>PU enabled, RSEL1</li> <li>DVDIO = 3.3, 2.8, 1.8V</li> <li>DVDIO * 0.75 &lt; VIN2 &lt; DVDIO</li> </ul>	-60	-	5	μA
		<ul style="list-style-type: none"> <li>PU enabled, RSEL2</li> <li>DVDIO = 3.3, 2.8, 1.8V</li> <li>DVDIO * 0.75 &lt; VIN2 &lt; DVDIO</li> </ul>	-120	-	5	μA
		<ul style="list-style-type: none"> <li>PD enabled, RSEL1</li> <li>DVDIO = 3.3, 2.8, 1.8V</li> <li>DVDIO * 0.75 &lt; VIN2 &lt; DVDIO</li> </ul>	10	-	110	μA
		<ul style="list-style-type: none"> <li>PD enabled, RSEL2</li> <li>DVDIO = 3.3, 2.8, 1.8V</li> <li>DVDIO * 0.75 &lt; VIN2 &lt; DVDIO</li> </ul>	20	-	220	μA
		<ul style="list-style-type: none"> <li>PD enabled, RSEL2</li> <li>DVDIO = 3.3, 2.8, 1.8V</li> <li>DVDIO * 0.75 &lt; VIN2 &lt; DVDIO</li> </ul>	20	-	220	μA

Symbol	Description	Condition	Min.	Typ.	Max.	Unit
DIIL2	Digital low input current for IO Type 2	<ul style="list-style-type: none"> <li>• PU/PD disabled</li> <li>• DVDIO = 3.3, 2.8, 1.8V</li> <li>• <math>-0.3V &lt; VIN2 &lt; DVDIO * 0.65</math></li> </ul>	-5	-	5	μA
		<ul style="list-style-type: none"> <li>• PU enabled, RSEL1</li> <li>• DVDIO = 3.3, 2.8, 1.8V</li> <li>• <math>0 &lt; VIN2 &lt; DVDIO * 0.25</math></li> </ul>	-100	-	-10	μA
		<ul style="list-style-type: none"> <li>• PU enabled, RSEL2</li> <li>• DVDIO = 3.3, 2.8, 1.8V</li> <li>• <math>0 &lt; VIN2 &lt; DVDIO * 0.25</math></li> </ul>	-200	-	-20	μA
		<ul style="list-style-type: none"> <li>• PD enabled, RSEL1</li> <li>• DVDIO = 3.3, 2.8, 1.8V</li> <li>• <math>0 &lt; VIN2 &lt; DVDIO * 0.25</math></li> </ul>	-5	-	60	μA
		<ul style="list-style-type: none"> <li>• PD enabled, RSEL2</li> <li>• DVDIO = 3.3, 2.8, 1.8V</li> <li>• <math>0 &lt; VIN2 &lt; DVDIO * 0.25</math></li> </ul>	-5	-	120	μA
DIOH2	Digital high output current for IO Type 2	<ul style="list-style-type: none"> <li>• DVOH = 2.805V</li> <li>• DVDIO = 3.3V</li> <li>• Maximum driving mode</li> </ul>	24	-	-	mA
		<ul style="list-style-type: none"> <li>• DVOH = 2.38V</li> <li>• DVDIO = 2.8V</li> <li>• Maximum driving mode</li> </ul>	20	-	-	mA
		<ul style="list-style-type: none"> <li>• DVOH = 1.53V</li> <li>• DVDIO = 1.8V</li> <li>• Maximum driving mode</li> </ul>	8	-	-	mA
DIOL2	Digital low output current for IO Type 2	<ul style="list-style-type: none"> <li>• DVOL = 0.495V</li> <li>• DVDIO = 3.3V</li> <li>• Maximum driving mode</li> </ul>	24	-	-	mA
		<ul style="list-style-type: none"> <li>• DVOL = 0.42V</li> </ul>	20	-	-	mA



Symbol	Description	Condition	Min.	Typ.	Max.	Unit
		<ul style="list-style-type: none"> <li>DVDIO = 2.8V</li> <li>Maximum driving mode</li> </ul>				
		<ul style="list-style-type: none"> <li>DVOL = 0.27V</li> <li>DVDIO = 1.8V</li> <li>Maximum driving mode</li> </ul>	8	-	-	mA
DRPU2	Digital I/O pull-up resistance for IO Type 2	<ul style="list-style-type: none"> <li>DVDIO = 3.3V</li> <li>VIN = 0V, RSEL1</li> </ul>	25	45	100	kΩ
		<ul style="list-style-type: none"> <li>DVDIO = 3.3V</li> <li>VIN = 0V, RSEL2</li> </ul>	10	23	50	kΩ
		<ul style="list-style-type: none"> <li>DVDIO = 2.8V</li> <li>VIN = 0V, RSEL1</li> </ul>	25	45	100	kΩ
		<ul style="list-style-type: none"> <li>DVDIO = 2.8V</li> <li>VIN = 0V, RSEL2</li> </ul>	10	23	50	kΩ
		<ul style="list-style-type: none"> <li>DVDIO = 1.8V</li> <li>VIN = 0V, RSEL1</li> </ul>	50	100	200	kΩ
		<ul style="list-style-type: none"> <li>DVDIO = 1.8V</li> <li>VIN = 0V, RSEL2</li> </ul>	25	50	100	kΩ
DRPD2	Digital I/O pull-down resistance for IO Type 2	<ul style="list-style-type: none"> <li>DVDIO = 3.3V</li> <li>VIN = 3.3V, RSEL1</li> </ul>	25	45	100	kΩ
		<ul style="list-style-type: none"> <li>DVDIO = 3.3V</li> <li>VIN = 3.3V, RSEL2</li> </ul>	10	23	50	kΩ
		<ul style="list-style-type: none"> <li>DVDIO = 2.8V</li> <li>VIN = 2.8V, RSEL1</li> </ul>	25	45	100	kΩ
		<ul style="list-style-type: none"> <li>DVDIO = 2.8V</li> <li>VIN = 2.8V, RSEL2</li> </ul>	10	23	50	kΩ
		<ul style="list-style-type: none"> <li>DVDIO = 1.8V</li> <li>VIN = 1.8V, RSEL1</li> </ul>	50	100	200	kΩ
		<ul style="list-style-type: none"> <li>DVDIO = 1.8V</li> <li>VIN = 1.8V, RSEL2</li> </ul>	25	50	100	kΩ
DVOH2	Digital output high voltage for IO Type 2	<ul style="list-style-type: none"> <li>DVDIO = 3.3V</li> </ul>	2.805	-	-	V
		<ul style="list-style-type: none"> <li>DVDIO = 2.8V</li> </ul>	2.38	-	-	V
		<ul style="list-style-type: none"> <li>DVDIO = 1.8V</li> </ul>	1.53	-	-	V
DVOL2	Digital output low voltage for IO Type 2	<ul style="list-style-type: none"> <li>DVDIO = 3.3V</li> </ul>	-	-	0.495	V
		<ul style="list-style-type: none"> <li>DVDIO = 2.8V</li> </ul>	-	-	0.42	V
		<ul style="list-style-type: none"> <li>DVDIO = 1.8V</li> </ul>	-	-	0.27	V
DIH3	Digital high input current	<ul style="list-style-type: none"> <li>PU/PD disabled</li> </ul>	-5	-	5	μA

Symbol	Description	Condition	Min.	Typ.	Max.	Unit
	for IO Type 3	<ul style="list-style-type: none"> <li>DVDIO = 3.3, 2.8, 1.8V</li> <li>DVDIO * 0.65 &lt; VIN3 &lt; DVDIO + 0.3V</li> </ul>				
		<ul style="list-style-type: none"> <li>DVDIO = 3.3V</li> <li>4.5V &lt; VIN3 &lt; 5.5V</li> </ul>	-5	-	5	μA
		<ul style="list-style-type: none"> <li>PU enabled</li> <li>DVDIO = 3.3, 2.8, 1.8V</li> <li>DVDIO * 0.75 &lt; VIN3 &lt; DVDIO</li> </ul>	-35	-	5	μA
		<ul style="list-style-type: none"> <li>PD enabled</li> <li>DVDIO = 3.3, 2.8, 1.8V</li> <li>DVDIO * 0.75 &lt; VIN3 &lt; DVDIO</li> </ul>	7	-	70	μA
DIIL3	Digital low input current for IO Type 3	<ul style="list-style-type: none"> <li>PU/PD disabled</li> <li>DVDIO = 3.3, 2.8, 1.8V</li> <li>-0.3V &lt; VIN3 &lt; DVDIO * 0.65</li> </ul>	-5	-	5	μA
		<ul style="list-style-type: none"> <li>PU enabled,</li> <li>DVDIO = 3.3, 2.8, 1.8V</li> <li>0 &lt; VIN3 &lt; DVDIO * 0.25</li> </ul>	-60	-	-6	μA
		<ul style="list-style-type: none"> <li>PD enabled,</li> <li>DVDIO = 3.3, 2.8, 1.8V</li> <li>0 &lt; VIN3 &lt; DVDIO * 0.25</li> </ul>	-5	-	40	μA
DIOH3	Digital high output current for IO Type 3	<ul style="list-style-type: none"> <li>DVOH = 2.805V</li> <li>DVDIO = 3.3V</li> <li>Maximum driving mode</li> </ul>	24	-	-	mA
		<ul style="list-style-type: none"> <li>DVOH = 2.38V</li> <li>DVDIO = 2.8V</li> <li>Maximum driving mode</li> </ul>	20	-	-	mA
		<ul style="list-style-type: none"> <li>DVOH = 1.53V</li> <li>DVDIO = 1.8V</li> <li>Maximum driving mode</li> </ul>	8	-	-	mA

Symbol	Description	Condition	Min.	Typ.	Max.	Unit
		mode				
DIOL3	Digital low output current for IO Type 3	<ul style="list-style-type: none"> <li>DVOL = 0.495V</li> <li>DVDIO = 3.3V</li> <li>Maximum driving mode</li> </ul>	24	-	-	mA
		<ul style="list-style-type: none"> <li>DVOL = 0.42V</li> <li>DVDIO = 2.8V</li> <li>Maximum driving mode</li> </ul>	20	-	-	mA
		<ul style="list-style-type: none"> <li>DVOL = 0.27V</li> <li>DVDIO = 1.8V</li> <li>Maximum driving mode</li> </ul>	8	-	-	mA
DRPU3	Digital I/O pull-up resistance for IO Type 3	<ul style="list-style-type: none"> <li>DVDIO = 3.3V</li> <li>VIN = 0V, RSEL1</li> </ul>	25	45	100	kΩ
		<ul style="list-style-type: none"> <li>DVDIO = 3.3V</li> <li>VIN = 0V, RSEL2</li> </ul>	10	23	50	kΩ
		<ul style="list-style-type: none"> <li>DVDIO = 2.8V</li> <li>VIN = 0V, RSEL1</li> </ul>	25	45	100	kΩ
		<ul style="list-style-type: none"> <li>DVDIO = 2.8V</li> <li>VIN = 0V, RSEL2</li> </ul>	10	23	50	kΩ
		<ul style="list-style-type: none"> <li>DVDIO = 1.8V</li> <li>VIN = 0V, RSEL1</li> </ul>	50	100	200	kΩ
		<ul style="list-style-type: none"> <li>DVDIO = 1.8V</li> <li>VIN = 0V, RSEL2</li> </ul>	25	50	100	kΩ
DRPD3	Digital I/O pull-down resistance for IO Type 3	<ul style="list-style-type: none"> <li>DVDIO = 3.3V</li> <li>VIN = 3.3V, RSEL1</li> </ul>	25	45	100	kΩ
		<ul style="list-style-type: none"> <li>DVDIO = 3.3V</li> <li>VIN = 3.3V, RSEL2</li> </ul>	10	23	50	kΩ
		<ul style="list-style-type: none"> <li>DVDIO = 2.8V</li> <li>VIN = 2.8V, RSEL1</li> </ul>	25	45	100	kΩ
		<ul style="list-style-type: none"> <li>DVDIO = 2.8V</li> <li>VIN = 2.8V, RSEL2</li> </ul>	10	23	50	kΩ
		<ul style="list-style-type: none"> <li>DVDIO = 1.8V</li> <li>VIN = 1.8V, RSEL1</li> </ul>	50	100	200	kΩ
		<ul style="list-style-type: none"> <li>DVDIO = 1.8V</li> <li>VIN = 1.8V, RSEL2</li> </ul>	25	50	100	kΩ
DVOH3	Digital output high voltage for IO Type 3	<ul style="list-style-type: none"> <li>DVDIO = 3.3V</li> </ul>	2.805	-	-	V
		<ul style="list-style-type: none"> <li>DVDIO = 2.8V</li> </ul>	2.38	-	-	V

Symbol	Description	Condition	Min.	Typ.	Max.	Unit
DVOL3	Digital output low voltage for IO Type 3	• DVDIO = 1.8V	1.53	-	-	V
		• DVDIO = 3.3V	-	-	0.495	V
		• DVDIO = 2.8V	-	-	0.42	V
		• DVDIO = 1.8V	-	-	0.27	V

### 6.2.3. ESD electrical sensitivity

**Table 6.2-6. ESD electrical characteristics of MT7682**

ESD mode	Description	Pin name	Min.	Max.	Unit
HBM	All pins exclude RF pins	JESD22-A114-F	-2000	2000	V
	RF pins	JESD22-A114-F	-1000	1000	V
CDM	All pins exclude RF pins	JESD22-C101-D	-500	500	V
	RF pins	JESD22-C101-D	-250	250	V

## 7. System Configuration

### 7.1. Mode selection

*Table 7.1-1. Mode selection table*

Mode Selection	Pin name	Description	Trapping condition
DCXO source frequency select	GPIO_17	GND : XO input is 26MHz (default) DVDD_IO_0 : XO input is 40MHz	Power-on reset
32kHz clock source select	GPIO_14	GND : 32kHz source is from external DVDD_IO_0 : 32kHz source is from internal (divided from 26/40MHz clock) (default)	Power-on reset
Boot with host interface (HIF_EN)	GPIO_4	GND : Boot with host interface enabled DVDD_IO_1 : Boot with host interface disabled (default)	Power-on reset
Host interface select (active if HIF_EN is enabled)	GPIO_13	(Active if HIF_EN = 1) GND : Host interface via SPI slave DVDD_IO_0 : Host interface via SDIO slave (default)	Power-on reset
Boot ROM bypass select	GPIO_16	GND : Boot up bypass boot ROM (directly jump to flash) DVDD_IO_0 : Boot up with boot ROM (default)	Power-on reset
JTAG pins fixed for use	GPIO_15	GND : JTAG pins fixed for JTAG use DVDD_IO_0 : JTAG pins as GPIO (configurable after boot up) (default)	Power-on reset
UART download	GPIO_12	GND : Enter UART download mode in Boot ROM DVDD_IO_0 : Skip UART download in Boot ROM (default)	Power-on reset or system reset

Note 1: Strapping resistors for default option are implemented as internal pull-down or internal pull-up 47kΩ.

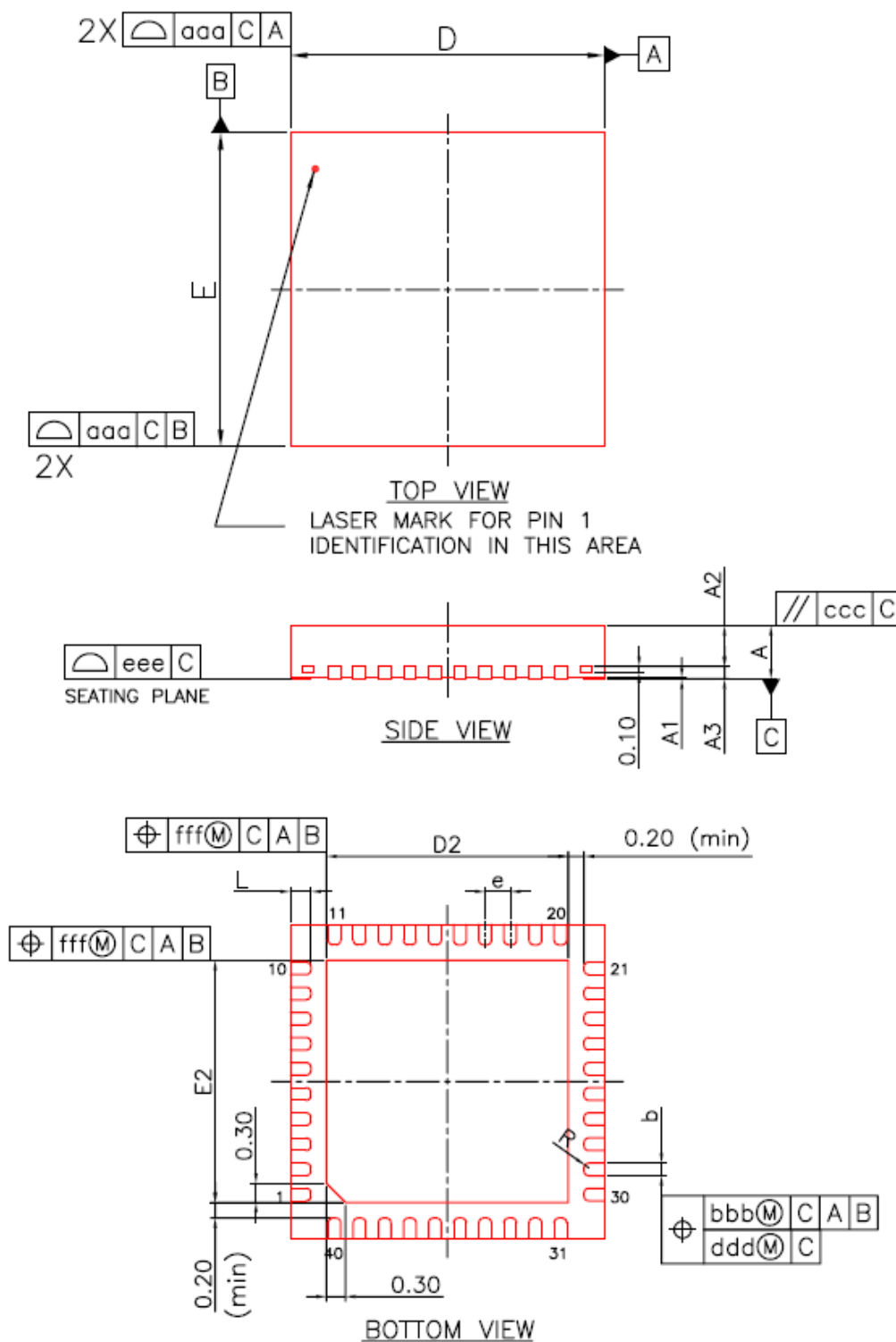
Note 2: If non-default option is used, it is recommended to use pull-down or pull-up 10kΩ as external strapping resistors.

Note 3: SDIO master and slave interfaces are limited to 1-bit mode if the 32kHz source is from external.



## 8. Package Information

### 8.1. MT7682 mechanical data of the package



Item	Symbol	MIN.	NOM.	MAX.	
total height	A	0.80	0.85	0.90	
stand off	A1	0.00	0.02	0.05	
mold thickness	A2	0.60	0.65	0.70	
leadframe thickness	A3	0.20 REF.			
lead width	b	0.15	0.20	0.25	
package size	X	D	4.90	5.00	5.10
	Y	E	4.90	5.00	5.10
E-PAD size	X	D2	3.75	3.85	3.95
	Y	E2	3.75	3.85	3.95
lead length	L	0.250	0.325	0.400	
lead pitch	e	0.40 bsc			
lead arc	R	0.075	---	---	
Package profile of a surface	aaa	0.10			
Lead position	bbb	0.07			
Parallelism	ccc	0.10			
Lead position	ddd	0.05			
Lead profile of a surface	eee	0.08			
Epad position	fff	0.10			

Figure 8.1-1. Outlines and dimensions of MT7682 SQFN 5 mm\*5 mm\*0.9 mm, 40-pin package

## 8.2. MT7682 thermal operating specifications

Table 8.2-1. MT7682 thermal operating specifications

Description	Value	Unit
Thermal resistance from device junction to package case	57.8	C/W



Note: MTK RFB FR4 2 Layers PCB size: 21.5x35.5mm

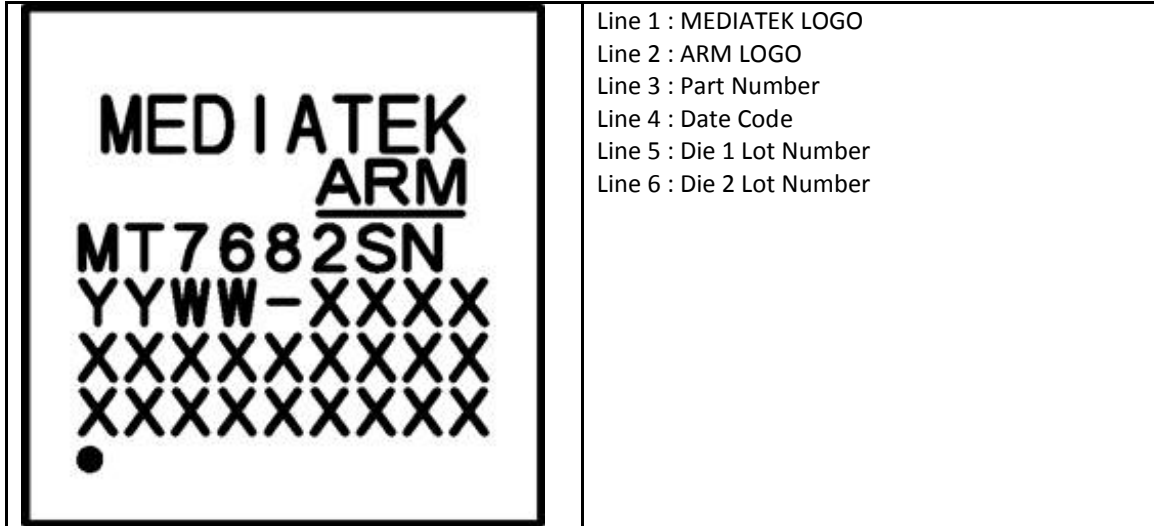
**8.3. MT7682 lead-frame packaging**

The MT7682 platform is provided in a lead-free package and meets RoHS requirements.



## 9. Ordering Information

### 9.1. MT7682 top marking definition



*Figure 9.1-1. Mass production top marking of MT7682*

*Table 9.1-1. Ordering information*

Product number	Package	Description
MT7682SN	SQFN	5 x 5 x 0.9 mm 40-pin QFN with 0.4mm lead pitch