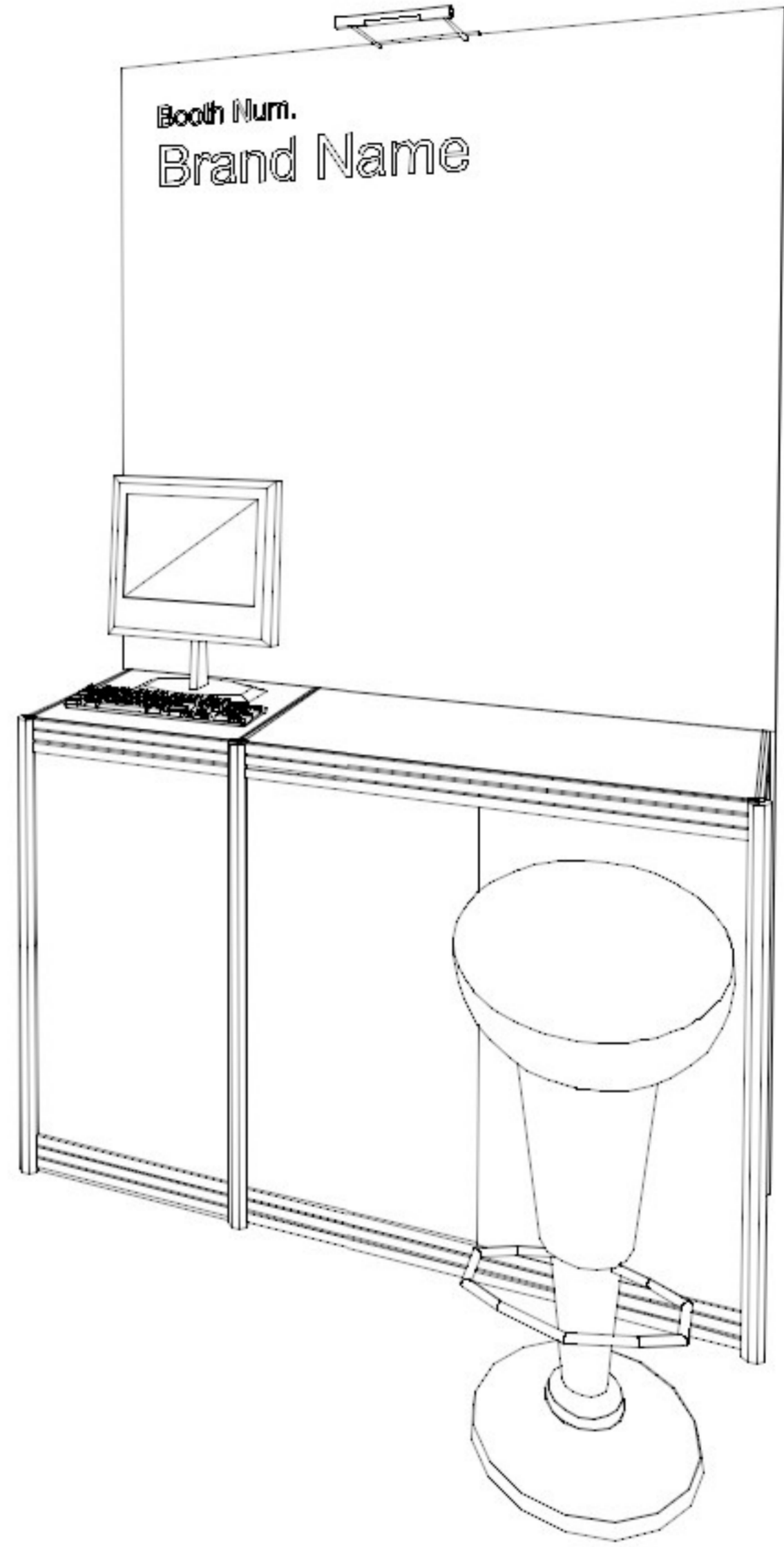
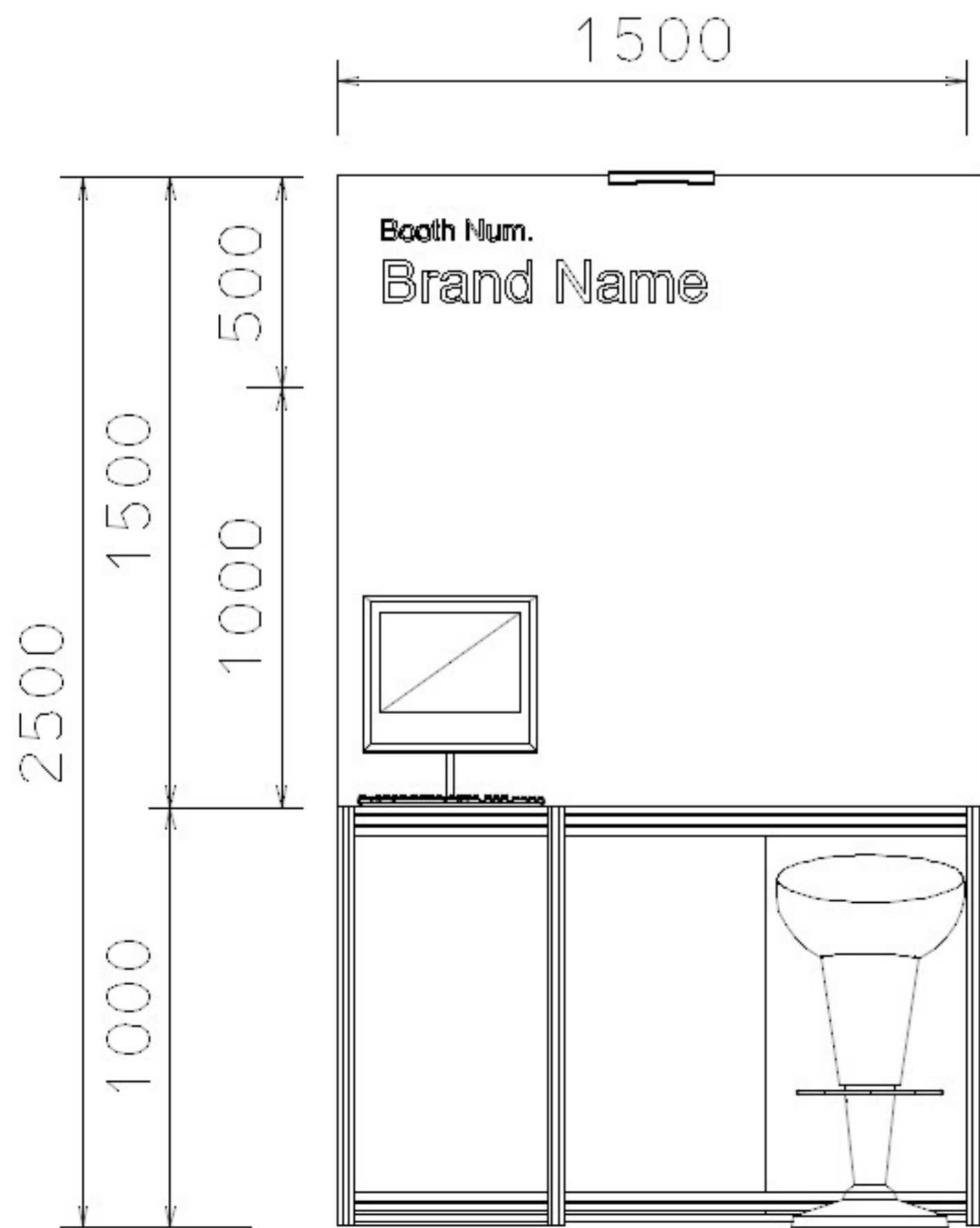
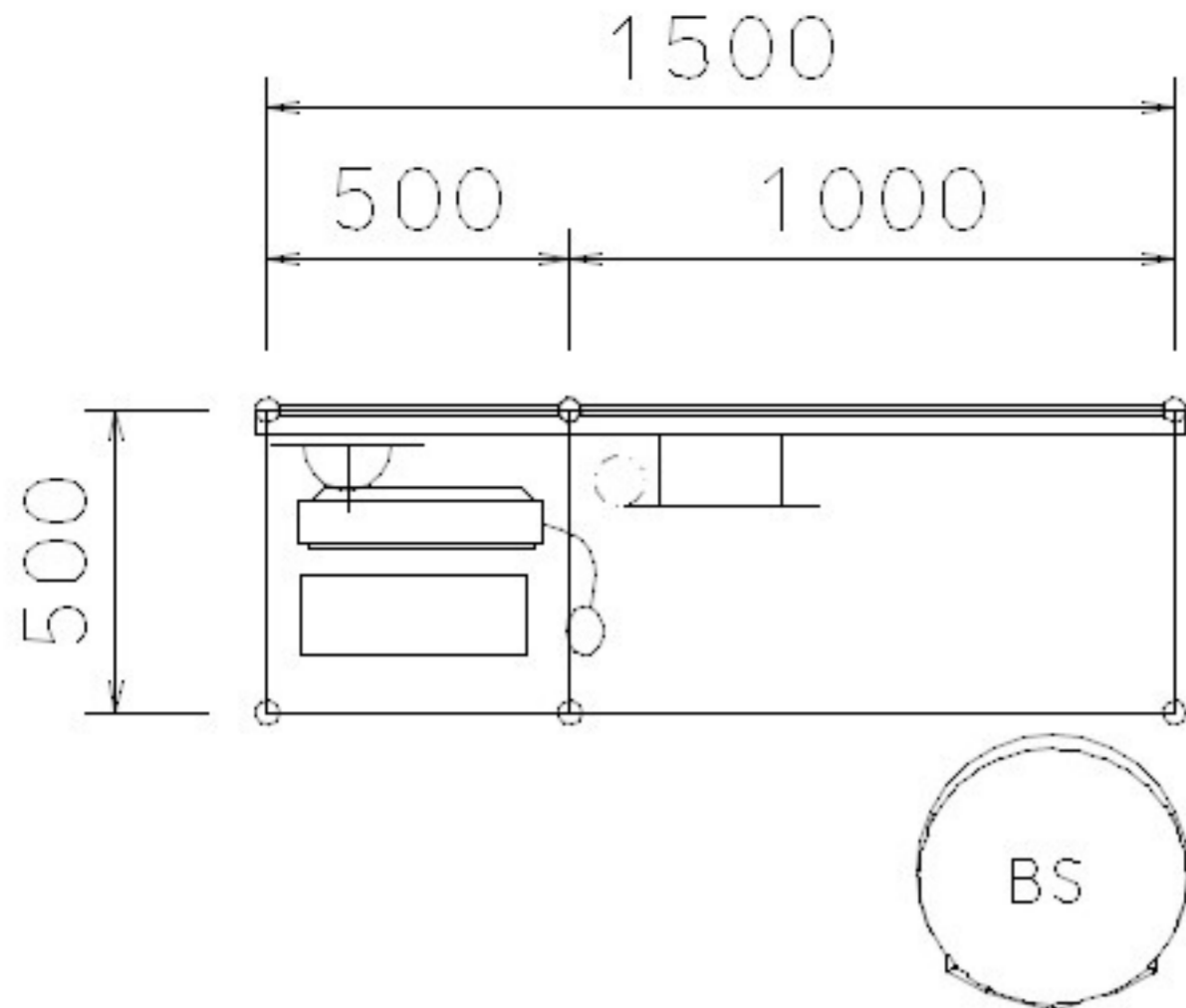


BOOTH SPECIFICATIONS		QTY.
	1000mmW x 500mmD x 1000mmH CABINET	1
	500mmW x 500mmD x 1000mmH PLATFORM	1
	GILBERT LAMP	1
	BAR STOOL	1
	500W SOCKET	1



BOOTH SPECIFICATIONS		QTY.
	1000mmW x 500mmD x 1000mmH CABINET	1
	500mmW x 500mmD x 1000mmH PLATFORM	1
	GILBERT LAMP	1
	BAR STOOL	1
	500W SOCKET	1