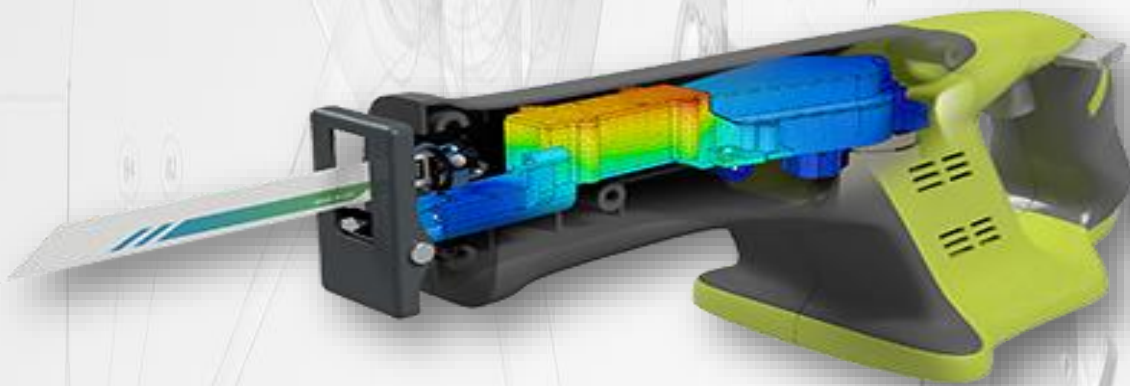




Faculty Development Program
Gujarat Technological University



Date: 20th & 21st December , 2018

Time: 9.30am to 5.00pm

Venue: Gujarat Technological University

Nr.Vishwakarma Government Engineering College

Nr.Visat Three Roads, Visat - Gandhinagar Highway

Chandkheda, Ahmedabad – 382424

AGENDA

Day 1

Getting Started: 9:30 to 10:30

- Introduction to Future of Making Things
- Introduction to course MDID & CAD/CAM

Break: 10:30 to 10:50

Fusion 360 UI: 10.50 to 12:30

- Fusion 360 Cloud Interface
- Collaboration & Data management

Lunch: 12.30 to 1:30

3D : 1:30 to 3:00

- Creating Basic Sketched features
- Creating Parametric Parts

Break: 3:00 to 3:20

Freeform: 3:20 to 5:00

Day 2

Assembly Modeling: 9:30 to 11:00

- Joints & Motion
- Motion Study

Break: 11:00 to 11:20

Animation & Rendering: 11:20 to 12:30

- Introduction to Animation
- Introduction to Rendering

Lunch: 12.30 to 1:30

Problem Statement & Solution on MDID: 1:30 to 3:00

- Fusion 360 Cloud Interface
- Collaboration & Data management

Break: 3:00 to 3:20

CAM: 3:20 to 4:00

- Settings
- Tools & process

Q&A: 4:00 to 5:00

IMPORTANT INSTRUCTIONS & DELIVERABLES

- Criteria of Selection (First come first serve basis)
- Registration Fees (Free of cost)
- Last Date of Registration – 18th December, 2018
- Notes & Step by step guide
- Certificate of Participation

WHO SHOULD ATTEND . . .

- Mechanical Engineering
- Automobile Engineering

Click Here for Registration

https://docs.google.com/forms/d/e/1FAIpQLSd30MbJuntTlowXfm4F32-CnkBJVmE99HvI-ANxbQckIJn8kQ/viewform?usp=sf_link

Contact Person:

Mr. Badari Hiriur

Contact No. – 9741382910

Mail ID - badari.hiriur@autodesk.com