



***SCOTT***

---

BIKE

SCOTT PLASMA 5  
USER MANUAL

---

INNOVATION  
TECHNOLOGY  
DESIGN

---

**WWW.SCOTT-SPORTS.COM**

All rights reserved © 2017 SCOTT Sports SA  
Distribution:  
SSG (Europe) Distribution Center SA, P.E.D. Zone C1, Rue du Kiell 60, 6790 Aubange, Belgium

v6.3/040717



**WWW.SCOTT-SPORTS.COM**

SCOTT Sports SA  
Route du Crochet 17, CH-1762 Givisiez  
Phone: +41 26 460 16 16 | Fax: +41 26 460 16 00  
Email: [scottsupport@scott-sports.com](mailto:scottsupport@scott-sports.com)

---



[www.scott-sports.com](http://www.scott-sports.com)

The Plasma Carbon bikes should be adjusted exactly to the current rider for reaching maximum safety and performance while riding.

Please note that all adjustments should be done at your local SCOTT dealer or following to this manual.

## CONTENT

---

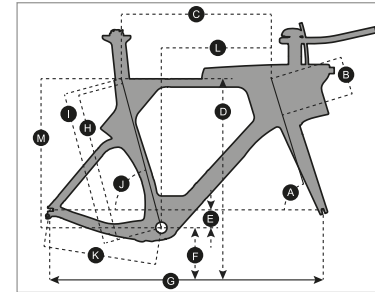
Plasma Concept . . . . .	04
Geometry/Technical Data Plasma 5 . . . . .	05
Plasma 5 Frameset Content . . . . .	06
Specific Torques Values Table. . . . .	06
Rear Drop out and Replaceable Derailleur Hanger . . . . .	06
Cable Routing: for Electronic Shifting . . . . .	08
Cable Routing: for Mechanical Shifting . . . . .	10
Fork . . . . .	12
Headset/Stem Body TT5. . . . .	12
Seatpost . . . . .	14
Stem/Handlebar . . . . .	16
Brake . . . . .	18
Brake Covers . . . . .	21
Storage Box . . . . .	22
Hydration System . . . . .	23
Guarantee on SCOTT Bikes . . . . .	24

## PLASMA CONCEPT

Plasma is the result of 2 years of research and development based on the feedback of the SCOTT-triathlon and time trial athletes searching for one of the most efficient aerodynamics orientated frames in the market.

SCOTT's focus was not only on the frame and rider aerodynamics but also on the bike's ergonomics and adjustability as well as the frame front end stiffness.

## GEOMETRY/TECHNICAL DATA PLASMA 5



Headtube diameter	Plasma 5: 1" /1.1/8", tapered, cups semi-integrated
BB housing	PF BB 86
Rear brake	SHIMANO direct mount compatible brake calipers
Front brake	Compatible with both SHIMANO direct mount and single bolt front brake calipers.
Front brake cover	<b>Only compatible with TEKRO SCTT161411501 brake designed for PLASMA5</b>
Seat post saddle rails clamps	Different seatpost saddle rail clamps are available to match with your saddle: 7x7mm, 8x8.5mm or 7x9.6mm
Rear hanger	Compatible plasma 4 and plasma 5
Shifting	Mechanical and electrical shifting compatible

	S/51		M/54		L/57		XL/60	
A HEAD TUBE ANGLE	72.0°		73.0°		73.0°		73.5°	
B HEAD TUBE LENGTH	110.0 mm	4.3 in	138.0 mm	5.4 in	170.0 mm	6.7 in	199.0 mm	7.8 in
C TOP TUBE HORIZONTAL	524.0 mm	20.6 in	544.0 mm	21.4 in	564.0 mm	22.2 in	583.0 mm	23.0 in
D STANDOVER HEIGHT	779.0 mm	30.7 in	809.0 mm	31.9 in	839.0 mm	33.0 in	869.0 mm	34.2 in
E BB OFFSET	-65.0 mm	-2.6 in	-65.0 mm	-2.6 in	-65.0 mm	-2.6 in	-65.0 mm	-2.6 in
F BB HEIGHT	269.0 mm	10.6 in	269.0 mm	10.6 in	269.0 mm	10.6 in	269.0 mm	10.6 in
G WHEEL BASE	965.0 mm	38.0 in	983.0 mm	38.7 in	1,009.0 mm	39.7 in	1,029.0 mm	40.5 in
H BB CENTER TO TOP TUBE CENTER	514.8 mm	20.3 in	544.6 mm	21.4 in	574.4 mm	22.6 in	604.2 mm	23.8 in
I BB CENTER TO TOP OF SEATTUBE	529.8 mm	20.9 in	559.6 mm	22.0 in	589.4 mm	23.2 in	619.2 mm	24.4 in
J SEATTUBE ANGLE	74.0°		75.0°		75.0°		76.0°	
K CHAINSTAY MIN.	403.0 mm	15.9 in	403.0 mm	15.9 in	403.0 mm	15.9 in	403.0 mm	15.9 in
L REACH	380.0 mm	15.0 in	397.0 mm	15.6 in	414.0 mm	16.3 in	430.0 mm	16.9 in
M STACK	510.0 mm	20.1 in	540.0 mm	21.3 in	570.0 mm	22.4 in	600.0 mm	23.6 in
N STEM LENGTH	85.0 mm	3.3 in	85.0 mm	3.3 in	85.0 mm	3.3 in	85.0 mm	3.3 in

## PLASMA 5 FRAMESET CONTENT

- |                   |                     |
|-------------------|---------------------|
| 1. Frame          | 6. Front Brake      |
| 2. Fork           | 7. Brake Covers     |
| 3. Headset        | 8. Storage Box      |
| 4. Seatpost       | 9. Hydration System |
| 5. Stem/Handlebar |                     |

## SPECIFIC TORQUES VALUES TABLE

TORQUE REF.	MAX. TORQUE	TORQUE REF.	MAX. TORQUE
Ⓟ 1	5Nm	Ⓟ 10	3Nm
Ⓟ 2	5Nm	Ⓟ 11	8Nm
Ⓟ 3	6Nm	Ⓟ 12	4Nm
Ⓟ 4	4.7Nm	Ⓟ 13	12Nm
Ⓟ 5	6Nm	Ⓟ 14	3Nm
Ⓟ 6	5Nm	Ⓟ 15	1.5Nm
Ⓟ 7	2Nm	Ⓟ 16	6Nm
Ⓟ 8	1.5Nm	Ⓟ 17	4Nm
Ⓟ 9	1.5Nm	Ⓟ 18	1.5Nm

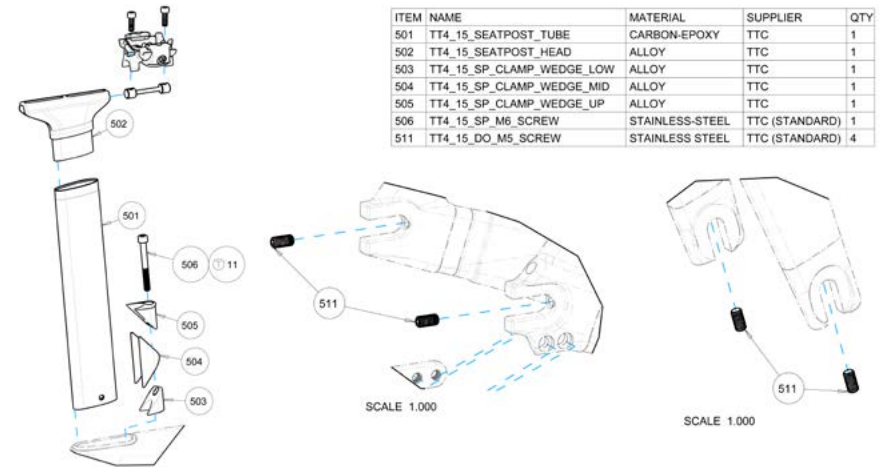
## REAR DROP OUT AND REPLACEABLE DERAILLEUR HANGER

### Setup screw:

Dropout length can be set to adjust the rear wheel tire clearance with the frame (100) thanks to the rear dropout screws (511). The chainstays length can be set from 403mm to 413mm.

- Loosen the screw to set a longer chainstays length,
- Tighten the screw to set a shorter chainstays length.

Make sure right and left side are set at the same length by assembling the rear wheel and verifying it is centred with the chainstays.



ITEM	NAME	MATERIAL	SUPPLIER	QTY
501	TT4_15_SEATPOST_TUBE	CARBON-EPOXY	TTC	1
502	TT4_15_SEATPOST_HEAD	ALLOY	TTC	1
503	TT4_15_SP_CLAMP_WEDGE_LOW	ALLOY	TTC	1
504	TT4_15_SP_CLAMP_WEDGE_MID	ALLOY	TTC	1
505	TT4_15_SP_CLAMP_WEDGE_UP	ALLOY	TTC	1
506	TT4_15_SP_M6_SCREW	STAINLESS-STEEL	TTC (STANDARD)	1
511	TT4_15_DO_M5_SCREW	STAINLESS STEEL	TTC (STANDARD)	4

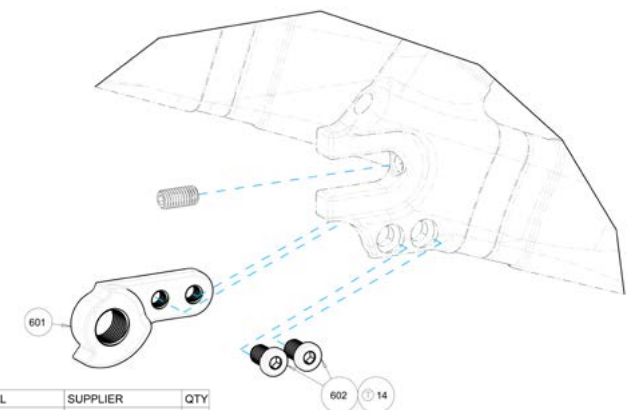
### Rear derailleur hanger:

place the rear derailleur hanger in the cavity and tighten the 2x M6 screws to their specified torques.

### ⚠ IMPORTANT

**Rear derailleur hanger (601 + 2\*602): 239178 is compatible with Plasma 4 and Plasma 5**

**Drop out adjustment screws: Standard M5\*10mm headless screw available in any hardware shop.**



ITEM	NAME	MATERIAL	SUPPLIER	QTY
601	TT4_15_RD_HANGER	ALLOY	TTC	1
602	ROAD-DROP-SCREW-M5	STAINLESS STEEL	TTC (STANDARD)	2

## CABLE ROUTING: FOR ELECTRONIC SHIFTING

### Front Derailleur (FD) & Rear Derailleur (RD) wires:

Route the COMMAND electric wire (approx. 1000mm) down from the headtube long hole to the bottom bracket right hand housing.

Route the FD wire (approx. 200mm) down from the frame front derailleur exit hole to the bottom bracket right hand housing.

Route the RD wire (approx. 500mm) down from the frame right dropout exit hole to the bottom bracket right hand housing.

Route the BATTERY wire (approx. 600mm) down the seattube to the bottom bracket right hand housing.

Plug all wires to the junction box SM-JC41, insert the box into the frame through the bottom bracket right hand housing and make sure all wires will not disturb the bottom bracket assembly.

### Rear Brake (RB) Cable Housing:

#### ⚠ IMPORTANT

**To avoid any damage to the frame structure put a housing end plug at the end of the housing.**

Place the housing into the headtube long hole, push the housing until it touches the rear end of the headtube (you may feel a resistance), orient the housing up and push the housing again, it will then follow the headtube down and continue its travel along the downtube, continue running the cable housing into the frame.

Once the housing is visible from the bottom bracket opening, lead the housing to the bottom bracket exit hole on the underside of the downtube in front of the bottom bracket.

Pull the housing to leave approx. 100mm of cable housing outside the frame.

### Front Brake (FB) Cable Housing:

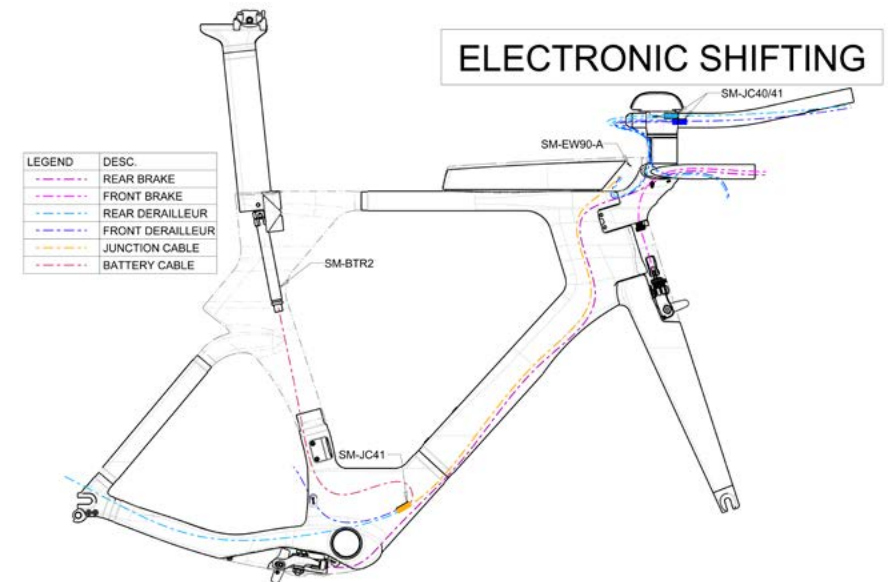
refer to the Stem/Handlebar section.

### Handlebar Command wiring:

route the wires into the Stem/Handlebar as described into the Stem/Handlebar section.

Route the FD COMMAND & RD COMMAND wires through the headtube cap part (905).

Route the COMMAND wire through the headtube cap part (905), connect the wires to the junction box SM-EW90-A, assemble the headtube cap part (905) as described into the Headset/Stem body section and zip-tie the junction box SM-EW90-A to either stem body or storage box.



## CABLE ROUTING: FOR MECHANICAL SHIFTING

### Rear Derailleur (RD) Cable Housing:

#### ⚠ IMPORTANT

To avoid any damage to the frame structure put a housing end plug at the end of the housing.

Place the RD cable housing into the headtube long hole, push the housing until it touches the rear end of the headtube (you may feel a resistance), orient the housing up and push the housing again, it will then follow the headtube down and continue its travel along the downtube, continue running the cable housing into the frame until it is visible from the bottom bracket opening.

Route a derailleur cable into the right dropout exit hole until it is visible from the bottom bracket opening, feed the cable into the cable housing and lead the housing to the right chainstay inner structure, pull the housing along the cable until it shows from the right dropout exit hole, leave approx. 150mm of cable housing outside the frame.

### Rear Brake (RB) & Front Derailleur (FD) Cable Housings:

#### ⚠ IMPORTANT

To avoid any damage to the frame structure put a housing end plug at the end of the housing.

Place the housing into the headtube long hole: RD housing = left / RB housing = middle / FD housing = right, push the housing until it touches the rear end of the headtube (you may feel a resistance), direct the housing up and push the housing again, it will then follow the headtube down and continue its travel along the downtube.

Continue running the cable housing into the frame, once the housing is visible from the bottom bracket opening, lead the housing to the bottom bracket exit hole on the underside of the downtube in front of the bottom bracket, pull the housing to leave approx. 100mm of cable housing outside the frame.

### Front Brake (FB) Cable Housing:

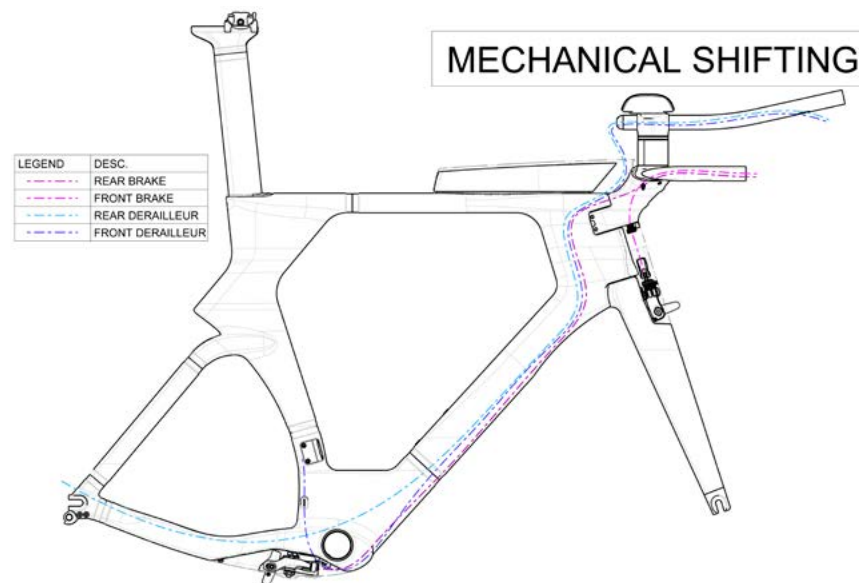
refer to the Stem/Handlebar section.

### Front derailleur cable guide:

#### ⚠ IMPORTANT

#### for mechanical shifting only

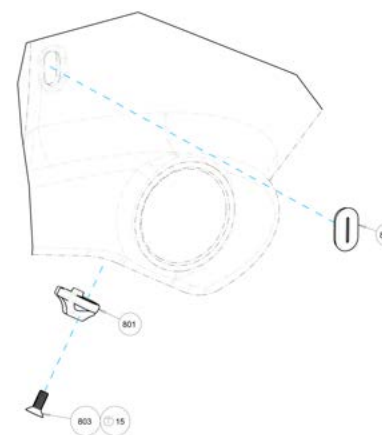
position the front derailleur housing into the cable guide cavity, bend the housing and position the cable guide pin into the corresponding positioning hole on the low side of the bottom bracket, place the M4 sunk head screw into the cable guide recess hole, tighten up the screw at the specified torque.



### Front derailleur cable exit:

route the front derailleur wire/liner through the frame front derailleur exit hole, put the wire/liner into the cable exit rubber part slot, slide the cable exit rubber part along the wire/liner, plug the cable exit part into the frame exit hole.

### Front derailleur BB cable guide (801) SCOTT Part number: 239181



ITEM	NAME	MATERIAL	SUPPLIER	QTY
801	TT4_15_CABLE_GUIDE_HMX ALLOY	TTC		1
802	TT4_15_FD_CABLE_EXIT	RUBBER	KARED	1
803	ISO14581 M4x10 SCREW	STEEL	TTC	1

## FORK

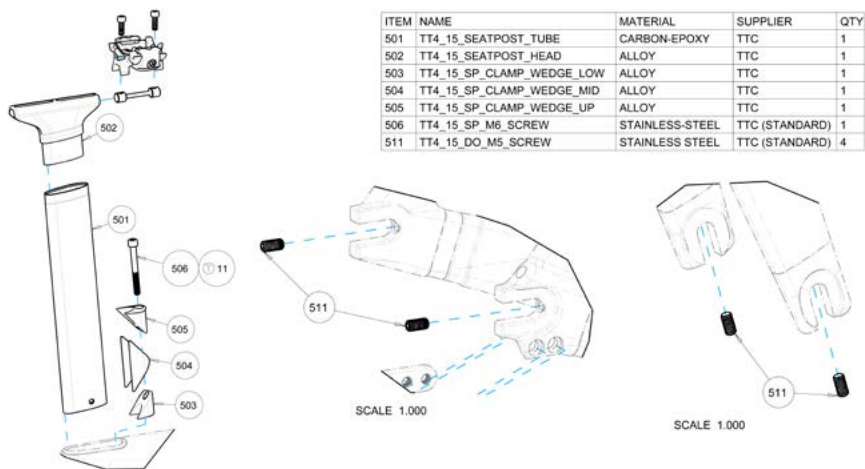
### Setup screw:

front end height can be set to adjust the front wheel tire clearance with the frame thanks to the fork dropout screws M5 (511). The fork (200) length can be set from 370mm to 380mm.

- Loosen the screws to set a higher front end
- Tighten the screws to set a lower front end.

Make sure right and left side are set at the same length by assembling the front wheel and verifying it is centred with the fork crown.

**Drop out adjustment screws: Standard M5\*10mm headless screw available in any hardware shop.**



## HEADSET/STEM BODY TT5

### Headset/Stem body assembly:

put the compression kit (908) into the steerer tube and tighten the bolt to the specified torque (T16), position the lower 1 1/8" bearing (901) onto the fork (201) bearing seat

### ⚠ IMPORTANT

**Make sure the inner diameter bearing chamfer is positioned onto the fork bearing seat cone**, place the stem (301A/B) into the frame headtube cut-out, place the fork (201) into the headtube, push the fork (201) from below so that the steerer tube goes through the stem 1" hole.

Put the upper 1" bearing (902) into the headtube upper bearing seat on top of the headtube

### ⚠ IMPORTANT

Put the upper 1" bearing (902) into the headtube upper bearing seat on top of the headtube, **make sure the outer diameter bearing chamfer is positioned upon the headtube bearing seat chamfer.**

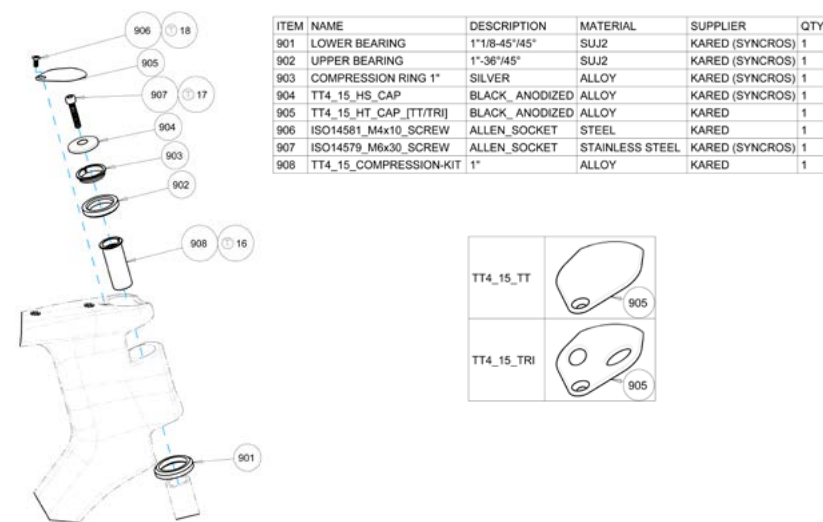
### ⚠ IMPORTANT

Put the 1" compression ring (903) on the steerer tube, make sure the compression ring chamfer is positioned onto the 1" upper bearing inner diameter chamfer (face down), put the top cap (904) on the top of the headset and tighten the M6 screw (907) to the specified torque (T17), place the two M5 screws (303) into the recesses located at the rear end of the stem body (301A/B), slide the stem on the steerer tube to achieve its **correct positioning, and make sure it does not touch the frame at any point**, tighten up the screws (907) to the specified torques (T1).

Once the cable routing is done, place the headtube cap (905) on the top of the headtube and tighten the M4 screw (906) to the specified torque (T18).

**Headset compression kit SCOTT part number: 239282**

**Headset Syncros Drop-In 1" - 1 1/8" SCOTT part number: 238601**



## SEATPOST

### Saddle assembly:

#### ⚠ IMPORTANT

**before assembling the saddle, make sure the seatpost saddle rail clamps (524/525) are compatible with your saddle rails!**

Measure your saddle rails height and width (HxW). Ritchey WCS Carbon One-Bolt Saddle Rail Clamp outer-pieces specifications should be compatible with your saddle rails.

If the saddle rails dimensions you measured are different from the saddle clamps specifications, purchase the required saddle rail clamps parts at your retailer's, the following dimensions are available: 7x7mm, 8x8.5mm or 7x9.6mm.

Set the right saddle tilt and position the saddle rails so that the saddle rail clamps are in the middle of the usable rail clamping area. Tighten the M6 screw (527) to the specified torque (T13) to assemble the saddle.

Use the seatpost adjustment barrel to adjust your BB-Saddle horizontal offset.

Once the right offset is set, tighten the two M5 barrel screws (521) to the specified torque (T12), in some cases, you will need to remove the saddle to access the two M5 barrel screws.

### Battery/Seatpost assembly:

#### ⚠ IMPORTANT

**for electronic shifting** assemble the seatpost battery mount parts (530) together so that their concave surfaces are facing.

Put the O-ring part (531) into the groove and put the rubber part (532) in between the two battery mount parts (530) so that one of its shoulders sticks out of the parts.

Assemble the battery mount parts (530) with the seatpost (501) by pinching the upper end of the battery mounts and so that their pins coincide with the seatpost low end holes.

Release the battery mounts once the pins are in position and pull apart the battery mounts parts to leave enough space for the battery (999) to be mounted.

Once the battery mounts ribs are positioned into the battery groove, release the battery mounts and connect the battery to the battery wire sticking out of the frame seat tube.

### Seatpost assembly:

#### ⚠ IMPORTANT

**before assembling the seatpost into the frame, make sure the rear side of the seatpost (side where head is longer) is at the rear end of the frame.**

Push gently the seatpost into the frame.

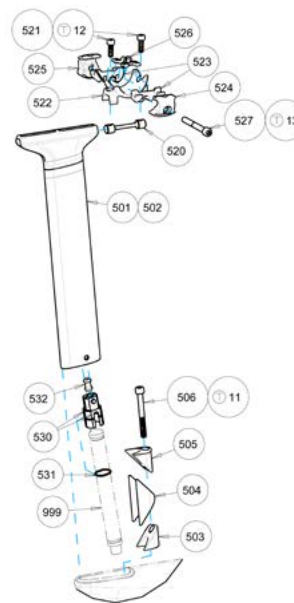
#### ⚠ IMPORTANT

**For electronic shifting:** make sure the battery does not get stuck into the frame, once the desired seatpost height is achieved pre-assemble the seatpost wedge: position the upper wedge part (505) over the mid wedge part (504) and the low wedge threaded part (503) below the mid wedge part.

Position the M6 wedge screw (506) into the assembly head up and pre-tighten it over 3 turns. Position the wedge assembly into the seat tube insert in front of the seat tube, its concave face should correspond to the seatpost front surface. Tighten the M6 screw to the specified torque (T11) while making sure the upper surface of the wedge coincides with the upper surface of the top tube.

**Seatpost Plasma 4/5 SCOTT part number: 239318**

**Seat Clamp Plasma 4/5 SCOTT part number: 239544**



ITEM	NAME	MATERIAL	SUPPLIER	QTY
501	TT4_15_SEATPOST_TUBE	CARBON-EPOXY	TTC	1
502	TT4_15_SEATPOST_HEAD	ALLOY	TTC	1
503	TT4_15_SP_CLAMP_WEDGE_LOW	ALLOY	TTC	1
504	TT4_15_SP_CLAMP_WEDGE_MID	ALLOY	TTC	1
505	TT4_15_SP_CLAMP_WEDGE_UP	ALLOY	TTC	1
506	TT4_15_SP_M6_SCREW	STAINLESS-STEEL	TTC (STANDARD)	1
520	TT4_15_RITCHEY_SP-BARREL	ALLOY	TTC (RITCHEY)	1
521	ISO_14579_M5x15_SCREW	STAINLESS-STEEL	TTC (RITCHEY)	2
522	TT4_15_RITCHEY_SP-CRADLE	ALLOY	TTC (RITCHEY)	1
523	TT4_15_RITCHEY_SP-INNER_RAIL HOLDER	ALLOY	TTC (RITCHEY)	2
524	TT4_15_RITCHEY_SP-OUTER_RAIL_CLAMP-R	ALLOY	TTC (RITCHEY)	1
525	TT4_15_RITCHEY_SP-OUTER_RAIL_CLAMP-L	ALLOY	TTC (RITCHEY)	1
526	TT4_15_RITCHEY_SP-CLAMP HOLDER	RUBBER	TTC (RITCHEY)	1
527	ISO_14579_M6x55_SCREW	STAINLESS-STEEL	TTC (RITCHEY)	1
530	TT4_15_SP-BATTERY_MOUNT	ALLOY	KARED	2
531	TT4_15_SP-BATTERY_O-RING	RUBBER	KARED	1
532	TT2_09_HOUSING_RUBBER	RUBBER	KARED	1
999	SHIMANO_DI2_INTERNAL_BATTERY (SM-BTR2)	/	/	/



## STEM/HANDLEBAR

### Front & Rear Brake Cable Housing:

Cut the front brake cable housing to 35cm length. The final housing length may need to be trimmed, based on the brand of brake levers.

Cut the rear brake cable housing to 150cm length. The final housing length will need to be trimmed during the rear brake installation.

Run the front brake cable backward inside the front brake cable housing. Install the front cable housing, from the rear side of the handlebar through the handlebar exit hole, by first running the brake cable through the handlebar, then pushing the cable housing through. The cable can be used to help pull the housing through as well.

Repeat for the rear cable housing, but through the top of the handlebar exit hole, at the rear side of the handlebar. Make sure the cable housings stick out at the brake lever end by about 50mm to engage the cable housing slot in the brake lever.

### Front Derailleur (FD) & Rear Derailleur (RD) command wires:

#### ⚠ IMPORTANT

**for electronic shifting** Route the front & rear command lever wires through the handlebar Basebar long holes and out through the spacer base long holes. Do not assemble the levers yet.

### Front Derailleur & Rear Derailleur TT Extension Shifters:

route the Front Derailleur Shifter (Left hand side) wire through the extension slot and route the wire out through the extension rear end. Connect the wire with a junction box SM-JC40/41 and connect a COMMAND wire (approx. 150mm) with the junction boxes SM-JC40/41.

Route the wire out from the side slot or from the rear part of the extension.

Repeat the process for the Rear Derailleur Shifter.

### Handlebar/Stem assembly:

route the front brake cable housing through the stem (301A/B) M10 threaded hole.

Route the rear brake cable housing and the Front & Rear Derailleur COMMAND wires through the stem body upper slot.

Position the handlebar on the stem body handlebar interface and pull gently the cable housings and wires meanwhile to make sure they do are not bent or pinched during the assembly.

#### ⚠ IMPORTANT

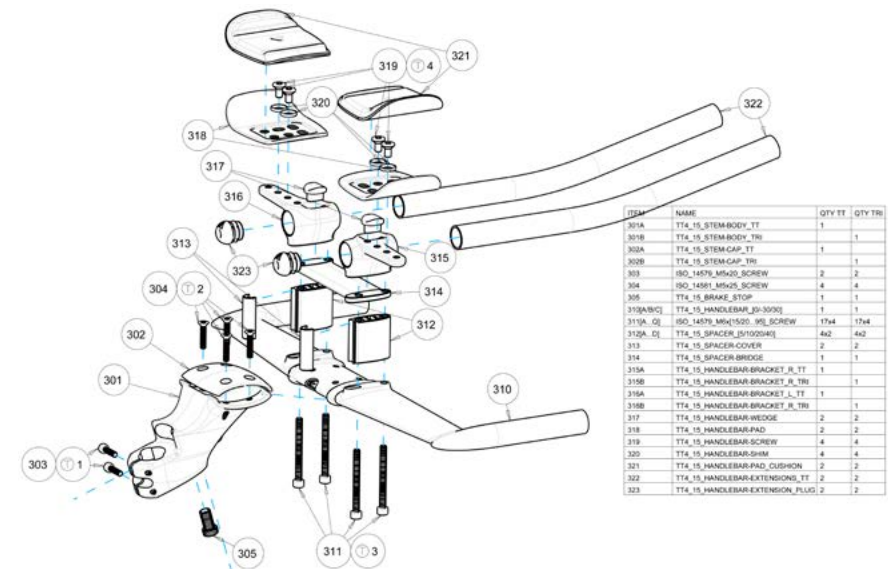
Position the stem top cap over the handlebar: **pay attention to the stem top cap direction! The gap between stem body and stem cap should be approx. 3mm.** If the gap is smaller than 2mm, the cap is in the wrong direction and should be turned backside-front.

Position the four M5 head sunk screws (304) in their respective recesses and tighten them to the specified torque (T2).

Once the Basebar brake levers are assembled cut the front brake cable housing so that 25mm stick out of the stem M10 threaded hole and place a cable housing end cap at the end of the cable housing.

#### ⚠ IMPORTANT

Position the brake stop part (305) and tighten it to the low part of the stem at the M10 threaded hole interface, **a minimal amount of 6 turns of engagement should be respected in order to engage enough threads to withstand the braking forces!**



## BRAKE

### Fork/Front Brake assembly:

**Advisory:** The SCOTT Plasma Fork is compatible with both SHIMANO direct mount and single bolt front brake calipers. The recommended front brake caliper for the SCOTT Plasma 5 is the TEKURO SCTT161411501, especially designed for the Plasma 5. Only this brake model is compatible with the front aero brake cover (401) delivered with the SCOTT Plasma 5 frameset. Instructions below describe the TEKURO SCTT161411501 assembly.

Assemble the front brake axles on the fork and tighten to the specified torque (T5) using an 8mm dynamometric wrench.

Position the spring on the axles, its final position is reached when the spring touches the fork.

Position the brake caliper on the brake axles, the shouldering of the axles should touch the caliper bearings then position the spring ends into the plastic spring tab grooves using a small flathead screwdriver. Position the brake booster part at the end of the brake axles so that the recesses are showing.

### ⚠ IMPORTANT

**Make sure the front face of the brake booster part coincides with the front end of the brake axles!** Assemble the two M6 screws and tighten them to the specified torque (T6).

### Front Brake Cable assembly:

Install the front wheel in the fork tabs and position the front brake cable in front of the front brake calliper. Using a pen put a mark on the cable corresponding to the end of the cable anchor part.

Using a ruler and a pen, put a second mark on the cable 20mm below the first one and cut the cable at the **second mark**.

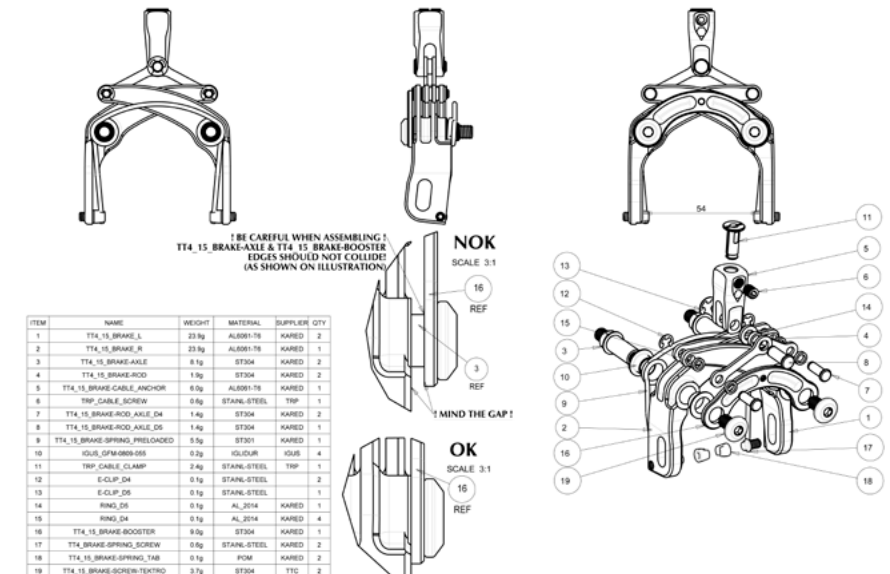
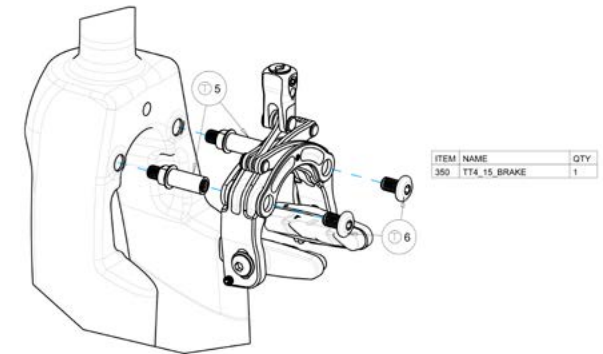
Slide the cable into the cable anchor part; make sure the end of the brake cable does not collide with the brake rod axle, in case you can gently bend the cable end so that it goes aside from the brake rod axle part.

### ⚠ IMPORTANT

Gently pull the cable end using pliers. Position the brake pads so that they're approximately 1mm away from the braking surface. **Make sure the cable clamps parts are parallel and that the gap between these parts is perpendicular to the cable clamping screw!**

Tighten the cable clamping screw using a 2.5mm Allen key and a 3mm Allen key to keep the cable anchor part from rotating. Adjust the pad position so that the top of the pad is 1-2mm below the top of the rim's braking surface and flat against the rim surface.

Torque the brake pads bolts to 5Nm. Micro-adjust the brake pads position thanks to the front brake stop part (305) located below the stem. Micro-adjust the spring tension screws with a 2mm Allen key to center the brake pads relative to the rim.

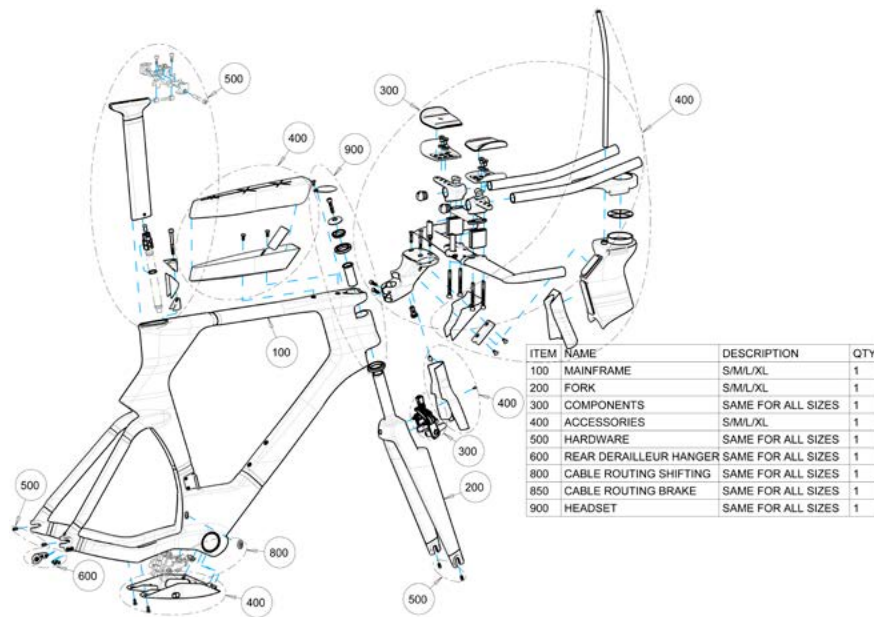


ITEM	NAME	WEIGHT	MATERIAL	SUPPLIER	QTY
1	TT4_15_BRAKE_L	23.5g	AL6061-T6	KAREL	2
2	TT4_15_BRAKE_R	23.5g	AL6061-T6	KAREL	1
3	TT4_15_BRAKE-AXLE	6.1g	ST304	KAREL	2
4	TT4_15_BRAKE-ROD	1.9g	ST304	KAREL	2
5	TT4_15_BRAKE-CABLE_ANCHOR	6.0g	AL6061-T6	KAREL	1
6	TRIP_CABLE_SCREW	0.8g	STAINL-STEEL	TRIP	1
7	TT4_15_BRAKE-ROD_AXLE_DA	1.4g	ST304	KAREL	2
8	TT4_15_BRAKE-ROD_AXLE_DS	1.4g	ST304	KAREL	1
9	TT4_15_BRAKE-SPRING_PRELOADED	5.5g	ST301	KAREL	1
10	IGUS_GPM0808-055	0.2g	IGLUDUR	IGUS	4
11	TRIP_CABLE_CLAMP	2.4g	STAINL-STEEL	TRIP	1
12	E-CLIP_DA	0.1g	STAINL-STEEL	TRIP	2
13	E-CLIP_DS	0.1g	STAINL-STEEL	TRIP	1
14	RING_DS	0.1g	AL_2014	KAREL	1
15	RING_DA	0.1g	AL_2014	KAREL	4
16	TT4_15_BRAKE_BOOSTER	9.0g	ST304	KAREL	1
17	TT4_BRAKE-SPRING_SCREW	0.8g	STAINL-STEEL	KAREL	2
18	TT4_15_BRAKE-SPRING_TAB	0.1g	POW	KAREL	2
19	TT4_15_BRAKE-SCREW-TEKTRO	0.2g	ST304	TTC	2

## Frame/Rear Brake assembly:

**Advisory:** The SCOTT Plasma is only compatible with SHIMANO direct mount compatible brake calipers. The recommended rear brake caliper for the SCOTT Plasma 5 is the SHIMANO Dura-Ace BR-9010. Only this brake model is compatible with the rear aero brake cover (410) delivered with the SCOTT Plasma 5 frameset.

To assemble the SHIMANO Dura-Ace BR-9010 rear brake caliper on the frame, please refer to the SHIMANO assembly instructions leaflet delivered with the bike or calipers.



## BRAKE COVERS

### Front brake cover:

assemble front brake cover screw (403) with the front brake cover part (401) and secure its position with the front brake cover O-ring (404) by positioning the O-ring over the screw's threads in order to leave 3mm of free threads at the end of the screw.

Position the front brake cover pin (402) into the stem pinhole located on the low part of the stem (301) and position the front brake cover over the front brake and secure it into position by tightening the front brake cover screw to the specified torque (T8).

**Advisory:** There are 4 front brake covers (401) available in S/M/L/XL each corresponding to the frame size.

### Front brake covers (S-XL) SCOTT part number: 239182

### Rear brake cover:

position the rear brake cover clips into the exit hole on the underside of the downtube in front of the bottom bracket,

**Advisory:** make sure the cable housings and wires run in between the two clips.

Rotate the rear brake cover until it enters in contact with the brake caliper lever arms, gently pull the rear cover left side to introduce the brake caliper lever arms into the rear brake cover left opening.

Keep on rotating the rear brake cover until it reaches its final position, make sure the two chainstay threaded inserts are visible from the rear brake cover holes.

Push the rear brake cover frontwards to ensure the clips are engaged into the frame, position and tighten the two M4 rear brake cover screws (411) to the specified torque (T9).

### Rear brake cover SCOTT part number: 239183

## STORAGE BOX

### Storage Box Assembly:

position the storage box hard case onto the frame top tube (100), position and tighten the two M5 storage box screws (423) to the specified torque (T7)

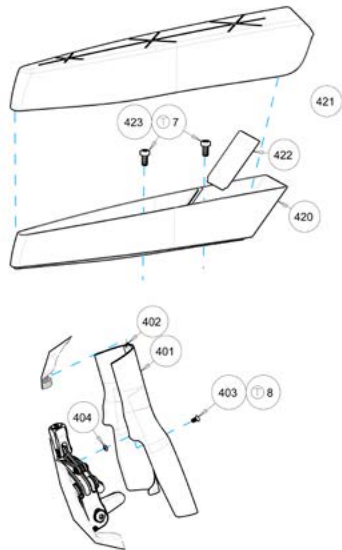
You have the possibility of mounting the divider part to create two dissociated volumes into your storage box, to do so, position the divider part (422) in between the hard case slots and slide it to its final position

Position the rubber part (421) onto the hard case (420) and slide it to reach its final position

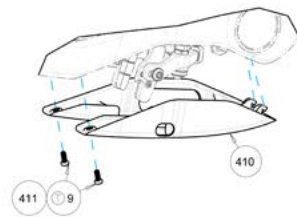
**Advisory:** You may use soap or dish-washing liquid to facilitate the assembly

Once the rubber cap part has reached its final position, make sure its lips are correctly inserted in between the top tube and the hard case.

**Plasma 5 Storage box SCOTT part number: 238936**



ITEM	NAME	DESCRIPTION	QTY
401	TT4_15_F-BK_COVER	S/M/L/XL	1
402	TT4_15_F-BK_COVER_PIN	SAME FOR ALL SIZES	1
403	ISO_14581_M3x6_SCREW	SAME FOR ALL SIZES	1
404	TT4_15_F-BK_COVER_O-RING	SAME FOR ALL SIZES	1
410	TT4_15_R-BK_COVER	SAME FOR ALL SIZES	1
411	ISO_14580_M4x10_SCREW	SAME FOR ALL SIZES	2
420	TT4_15_STEM_STORAGE-BOX	SAME FOR ALL SIZES	1
421	TT4_15_STEM_STORAGE-CAP	SAME FOR ALL SIZES	1
422	TT4_15_STEM_STORAGE-SLOT	SAME FOR ALL SIZES	1
423	ISO_14580_M5x10_SCREW	SAME FOR ALL SIZES	2



## HYDRATION SYSTEM

### Hydration System:

**Advisory:** please note that the integrated bottle can only be assembled on the Triathlon "riser" stem (301B). The TT "flat" stem (301A) is compatible with a horizontal top tube assembled bottle cage or any non-integrated extension mounted BTA hydration system.

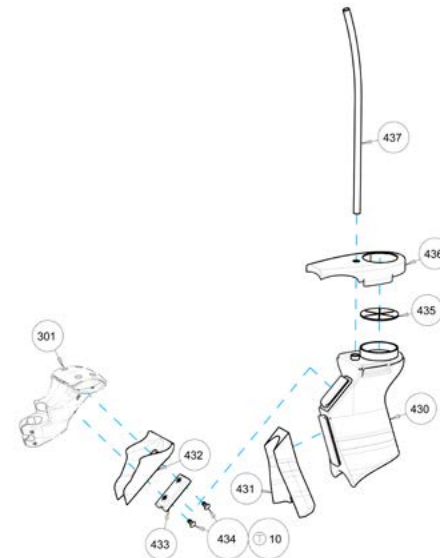
Before assembling the bottle onto the frame, please make sure that the bottle size corresponds to the frame size: there are four bottle sizes S/M/L/XL each corresponding to the frame size.

Assemble the bottle stem interface part and the bottle mount part (433) to the low side of the stem (301B) and position and tighten the two M5 head sunk bottle mount screws (434) to the specified torque (T10).

Clip the bottle cover interface part (431) on the bottle body (430) and assemble the "anti-splash" bottle foam part (435) into the bottle cap part recess (436). Clip the bottle cap part (436) onto the bottle body neck (430) and insert the straw into the bottle cap hole.

Slide the bottle (430) into the bottle mount (433) recess.

**Plasma 5 Aero drink SCOTT part number: 238937**



ITEM	NAME	DESCRIPTION	QTY
430	TT4_15_BOTTLE	S/M/L/XL	1
431	TT4_15_BOTTLE-COVER_INTFC	S/M/L/XL	1
432	TT4_15_BOTTLE-STEM_INTFC	SAME FOR ALL SIZES	1
433	TT4_15_BOTTLE-MOUNT	SAME FOR ALL SIZES	1
434	ISO_14581_M5x10_SCREW	SAME FOR ALL SIZES	2
435	TT4_15_BOTTLE-FOAM	SAME FOR ALL SIZES	1
436	TT4_15_BOTTLE-CAP	SAME FOR ALL SIZES	1
437	TT4_15_BOTTLE-STRAW	SAME FOR ALL SIZES	1

## GUARANTEE ON SCOTT BIKES

### **⚠ WARNING!**

**SCOTT Sports SA is not responsible or liable for any injury caused by any missing compliance with these instructions, particularly but not limited to misuse, incorrect maintenance, incorrect set-up and handling, neglect or abuse. Failure to follow these instructions can result in component failure, serious personal injury. Component failure can lead to loss of control of the bicycle and result in serious personal injury.**

#### **What is Covered?**

This warranty covers defects in materials and workmanship at the time of transfer of risks in frames, swingarms and forks (provided it is a fork of SCOTT) on SCOTT branded bikes sold completely assembled by SCOTT or an authorized SCOTT dealer (“Product”).

#### **How long does coverage last?**

This voluntary manufacturer’s warranty is limited to five years for frames and swingarms, respectively two years for forks, from the date of purchase of the Product and is limited to the first purchaser of the Product and subject to the prior registration of your SCOTT bike on [www.scott-sports.com](http://www.scott-sports.com) within 10 days as of the date of purchase. Transfer of the Product from the first purchaser to another person terminates this limited warranty. The limited warranty of five years for the frames and swingarms shall only be granted in case once a year a maintenance service has been effected according to maintenance requirements as set forth in the manual. The effected annual maintenance service shall be confirmed by stamp and signature. In case such an annual maintenance service has not been effected the warranty of five years for the frame shall be reduced to three years. Costs for maintenance and service have to be borne by the owner of the Product.

On Gambler, Voltage FR and Volt-X the warranty period is limited to two years.

Repaired or replaced Products are covered for the remainder of the original warranty period and subject to the conditions outlined in the original warranty, to the extent permitted by law.

Hereby SCOTT grants a worldwide voluntarily manufacturer’s warranty. To the extent permitted by law and unless a shorter duration is stipulated by law, any warranties implied by law are limited in duration to maximum five, respectively two years, from the date of purchase of the Product and are limited to the first purchaser of the Product.

#### **What will SCOTT do in the event of a guarantee case?**

SCOTT will replace the defective product with a product of a quality or nature and similar level, will repair or refund the purchase price (after presentation of the proof of purchase of the product), at its sole discretion. Non-defective components are replaced at your expense. In such a case, we will contact you before replacing the non-defective part for your agreement.

#### **What does this limited warranty not cover?**

This limited warranty does not cover defects which did not exist before the transfer of risks. This limited warranty does not cover Products used in rental operations. This

limited warranty does not cover purchases of not completely assembled bikes. This limited warranty does not cover any defect caused by “wear and tear” (a complete list of all parts of “wear and tear” can be found in the general manual that came with your bike), accident, neglect, improper handling, colour fade due to exposure to sunlight, abuse, misuse, an act of God, improper assembly, non-compliance with recommended maintenance and care procedures, improper or incorrectly performed maintenance or repairs performed by someone other than an authorized SCOTT dealer, use of parts or devices not consistent with the Product, and alteration of the Product.

All Products come with a manual; please carefully follow the instructions located there or affixed elsewhere to the Product. To the extent permitted by law, consequential and incidental damages are not recoverable under this limited warranty.

#### **How do you make a claim under this limited warranty?**

To make a claim under this limited warranty, you must notify SCOTT of the claimed defect within the warranty period and timely return the Product to SCOTT at your expense for inspection. Please contact your authorized SCOTT dealer, call SCOTT’s customer service or the national SCOTT distributor (dealer locator: [www.scott-sports.com](http://www.scott-sports.com)). All returned Products must be accompanied by proof of purchase (receipt) from an authorized SCOTT dealer or this limited warranty will not apply. In case of replacement or refund, returned Product becomes the property of SCOTT.

A protocol for the handing over of the Product (which you will find at the end of the manual) will remain in copy at the SCOTT dealer after acceptance and signature of the consumer. It is obligatory to show this protocol of handing over together with the defective part in case of a warranty claim given that it provides evidence of purchase or this limited warranty will not apply.

#### **How do state laws affect your rights under this limited warranty?**

This limited warranty gives you specific legal rights, and you may also have other rights, which vary from state to state.

#### **Recommendation**

We strongly recommend that you use only authorized SCOTT dealers for yearly maintenance services and for repairs, as improper or incorrectly performed maintenance or repairs voids this limited warranty. Costs for maintenance service have to be borne by the consumer.

<b>SCOTT Bike Warranty Periods</b>					
	Year 1	Year 2	Year 3	Year 4	Year 5
SCOTT Bikes					
Gambler, Voltage FR, Volt-X					
Regular Warranty Period					
Option for prolongation according to maintenance intervals shown in manuals attached to bikes					