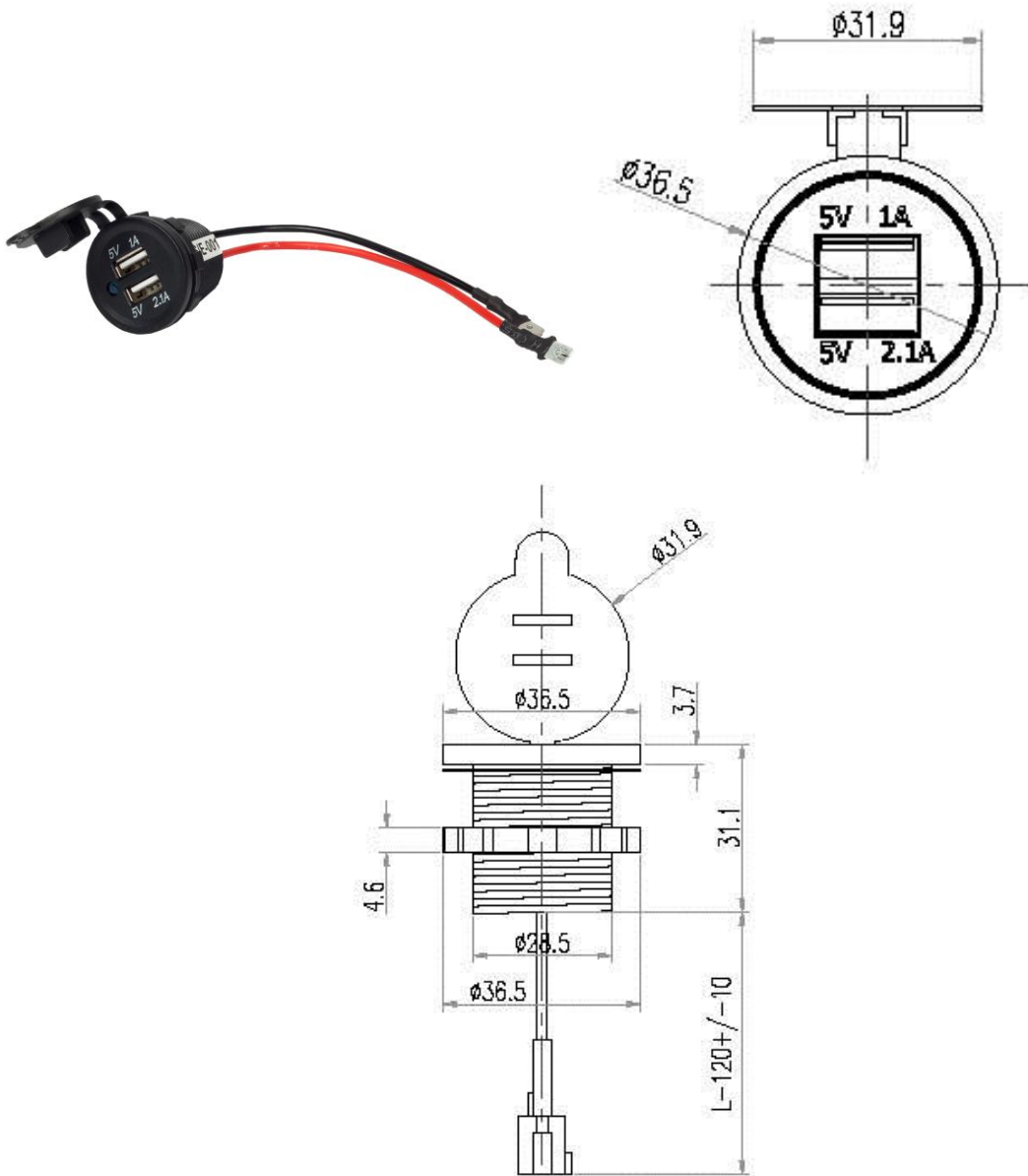




Tropicool® Flush Mount USB Mobile Charger(Short)
Model - DS2113



<u>Specifications :</u>	
USB Socket	Dual USB Socket 1A+2.1A Short
No. of USB Ports	2
Input Voltage	12/24 V DC (Range 9-32 V DC)
Output Voltage	5 V +/- 5%
Capacity	1A/2.1 A Total: 3.1 Amp
Status Indicator	Blue Illuminated Ring
Efficiency	80%
Protection	Input Reverse Polarity, Output Short circuit, Over temp. protection, Over load/current protection
Storage Temperature	-30 Deg.C to +80 Deg.C
Working Temperature	-20 Deg.C to +70 Deg.C
Waterproof Level	IP65 with Dust Seal Cap.
Mechanical Life	100,000 cycles

Tropicool Car Gadgets Pvt. Ltd.

A-1, First floor, Kumar Classics, Aundh, Pune - 411 007, Tel.: (020) 25881704 Fax: (020) 2588 0851
 E-mail: info@tropicoolindia.com Website: www.tropicoolindia.com

Luxury & Safety On The Wheels ... For The People On The Move
