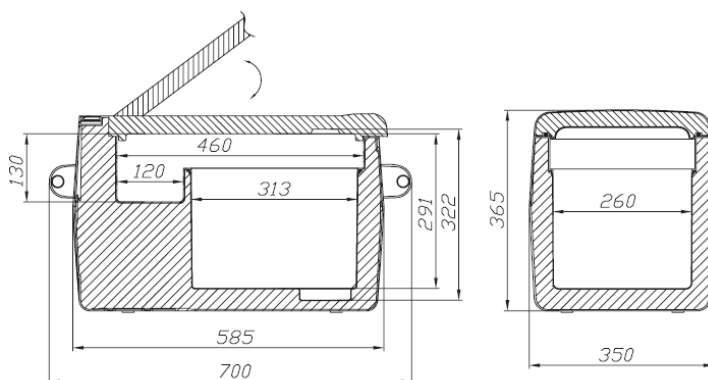


Tropicool DC Compressor Refrigerator

Model YCD-31 DC



Specifications :

Gross Capacity:	31 litres
Voltage:	12/24 volts DC / 230 V AC (Optional)
Power	45 watts Average consumption
Average running time:	15% at 20°C ambient temp., 19% at 32°C ambient temp., both at 5°C interior temp.
Power consumption:	0.36KWh/24h at -17DegC.
Temperature range:	+10°C to -18°C , adjustable via electronic thermostat with LED indicator
Insulation:	CFC-free polyurethane foam
System:	Secop (Danfoss) compressor with integrated control electronics, low voltage protection adjustable for consumer and starter battery via slide switch(High, Med & Low ,3 level battery protection), dynamically ventilated wire tube condenser, aluminium tube-on-sheet evaporator
Material:	Cabinet : PP , Lid : PP, Inner container : Painted Aluminum
Colour:	Body: pale grey/dark grey, lid: dark grey
Weight:	16 kg
Product Dimension:	585 x 350 x 365 mm (L x W x H)
Scope	DC connection cable, Detachable Handle, Removable wire basket, User Manual etc.
Optional Extras	110 -230 V to 12 V DC rectifier.
Test marks:	CE certified

A-1, Kumar Classics, Aundh, Pune - 411 007, Tel.: (020) 25881704, Fax: (020) 2588 0851
E-mail: info@tropicoolindia.com

Website: www.tropicoolindia.com **TROPICool® Car Gadgets Pvt. Ltd.**

Luxury & Safety On The Wheels ... For The People On The Move