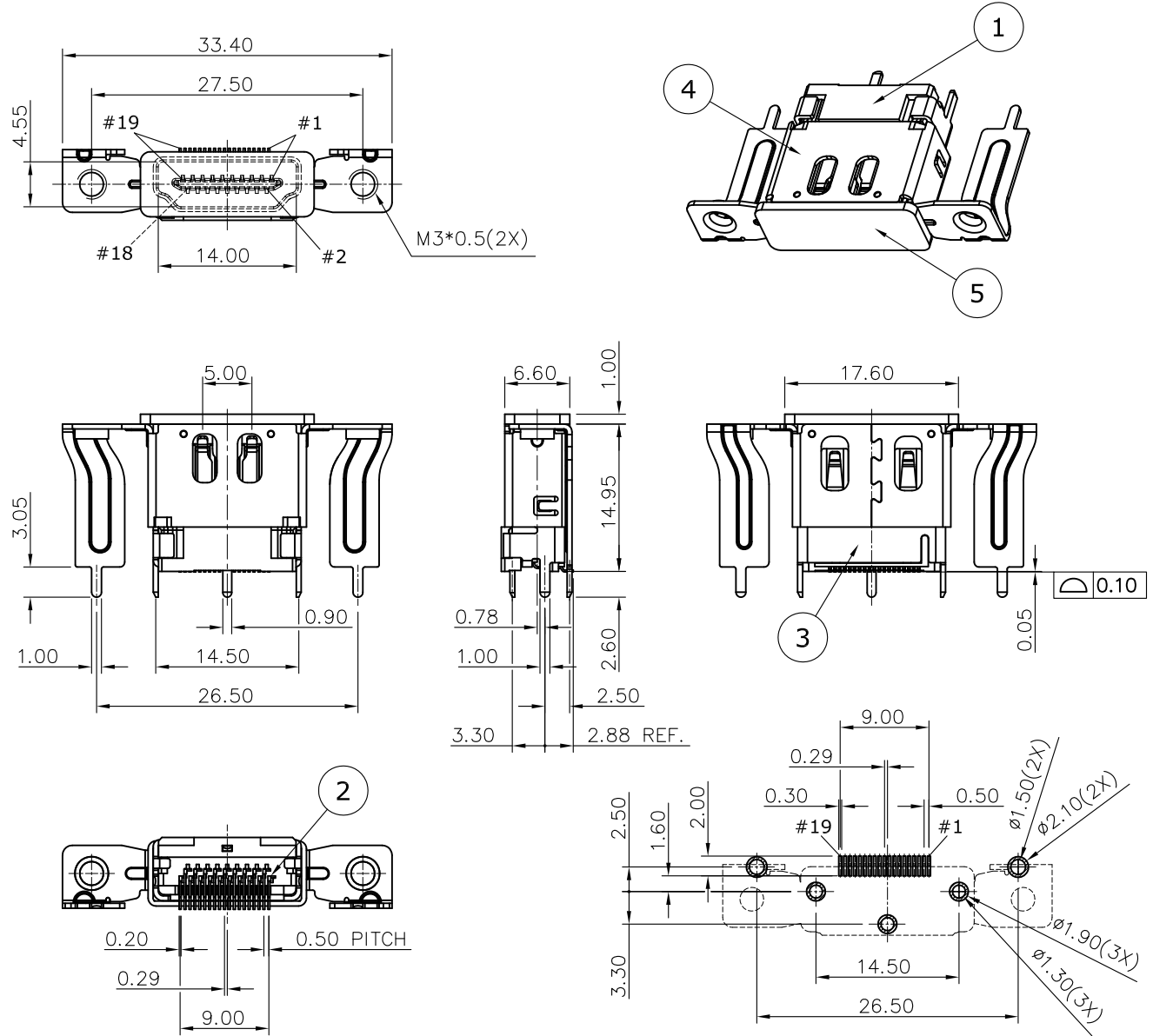



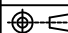
REV.	DESCRIPTION	DRAWN	DATE
1	INITIAL RELEASE	Willis	2013/05/29
2	Revised frame	Tim	2016/07/19



**SPECIFICATION:**

1. ELECTRICAL
  - 1.1 Current Rating: 0.5A per pin
  - 1.2 Voltage Rating: 40V AC
  - 1.3 Contact Resistance: 60m $\Omega$
  - 1.4 Insulation Resistance: 100M $\Omega$
  - 1.5 Dielectric Withstanding Voltage: 500VAC
2. MECHANICAL
  - 2.1 Durability: 10,000 Cycle
  - 2.2 Insertion Force: 44.1N max.
  - 2.3 Extraction Force: 9.8~39.2N.
3. ENVIRONMENTAL
  - 3.1 Operating temperature range: -40 $^{\circ}$ C~+85 $^{\circ}$ C
  - 3.2 Storage temperature range: -40 $^{\circ}$ C~+85 $^{\circ}$ C
4. SOLDER ABILITY
  - 4.1 Recommended IR Reflow Temperature: 260 $^{\circ}$ C
  - 4.2 Recommended PCB Thickness: 1.0mm

5	PICK UP	LCP UL94V-0 Black
4	FLANGE	SPCC, Nickel Plated ,t=0.5mm
3	SHELL	Brass C2680, Nickel Plated ,t=0.5mm
2	CONTACT	Phosphor Bronze C5210 Contact Area: 15u" Gold
1	HOUSING	LCP UL94V-0 Black
NO	PART NAME	DESCRIPTION

UNLESS OTHERWISE SPECIFIED TOLERANCE					
UNIT:	DECIMAL	LINEAR	ANGLES		
mm	X.	$\pm 0.50$	$\pm 5^{\circ}$	WWW.ATTEND.COM.TW	
	X.X	$\pm 0.25$	$\pm 3^{\circ}$		
	X.XX	$\pm 0.12$	$\pm 1^{\circ}$		
DRAWN	Willis	2013/05/29	DRAWN NAME: HDMI Straight Type Connector With Flange Solder Tail;SMD Type, Shell:DIP Type		
CHECKED	Angel	2013/05/29	PRODUCT NO. 206F-SEAN-RA1		
APPROVED	Ken	2013/05/29	FILE NAME 206F-SEAN-RA1_B_2		
	SCALE 1.5/1	SHEET 1/1	SIZE A4		

RECOMMEND LAYOUT (TOP VIEW)  
GENERAL TOLERANCE:  $\pm 0.05$