

REV.	DESCRIPTION	DRAWN	DATE
2	Change new identify	Willis	2012/11/13
3	Add 5 pin spec.	Willis	2014/08/11
4	ECR1700026	FROS	2017/10/25

**SPECIFICATION:**

1. ELECTRICAL
  - 1.1 Current Rating: 0.5A
  - 1.2 Voltage Rating: 50V AC/DC
  - 1.3 Contact Resistance: 40mΩ
  - 1.4 Insulation Resistance: 50MΩ
  - 1.5 Dielectric Withstanding Voltage: 250VAC
2. MECHANICAL
  - 2.1 Durability: 30 Cycles
  - 2.2 Retention Force: 0.3N min. per pin
3. ENVIRONMENTAL
  - 3.1 Operating temperature range: -40°C~+85°C
  - 3.2 Storage temperature range: -40°C~+85°C
4. SOLDER ABILITY
  - 4.1 Recommended IR-Reflow Temperature: 260°C

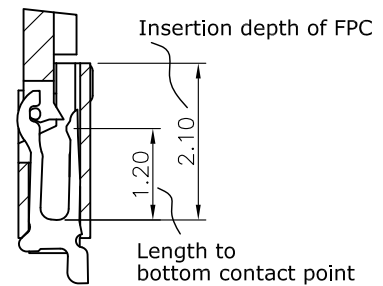
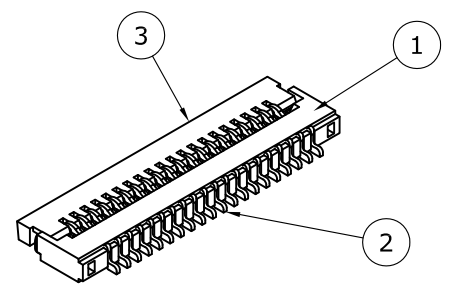
**How to order:**

315A- XX B A A - R01  
 1 2 3 4

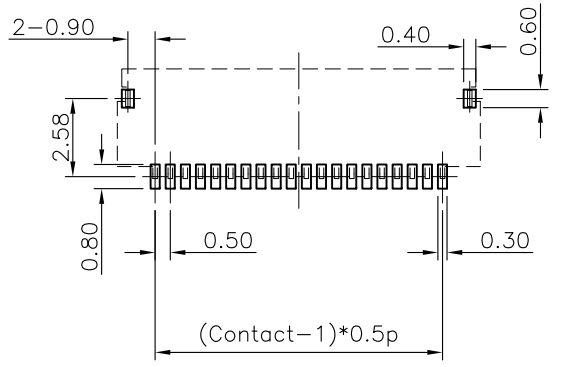
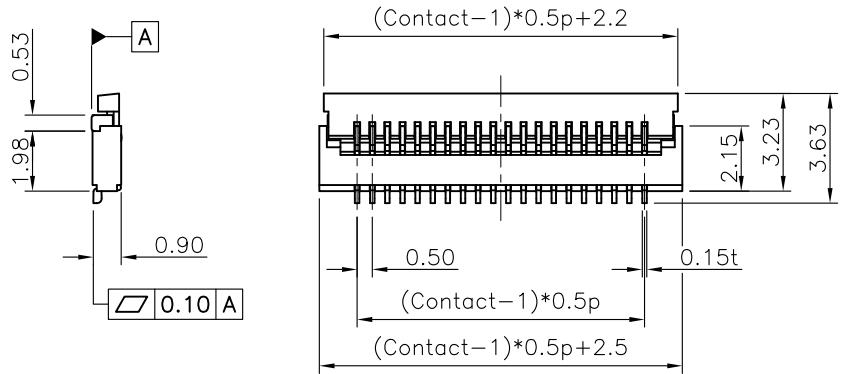
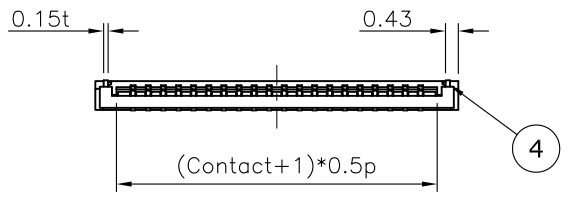
- 1 pin count: xx= 04~20  
(Please contact with sales for the pins count available)
- 2 contact type: B= bottom contact
- 3 plating: A= gold flash
- 4 packing: A= tape and reel

4	HOLDDOWN	Brass, Nickel plating
3	COVER	PA9T, UL94V-0, Black
2	CONTACT	Phosphor Bronze, Gold plating over Nickel
1	HOUSING	LCP, UL94V-0, Black

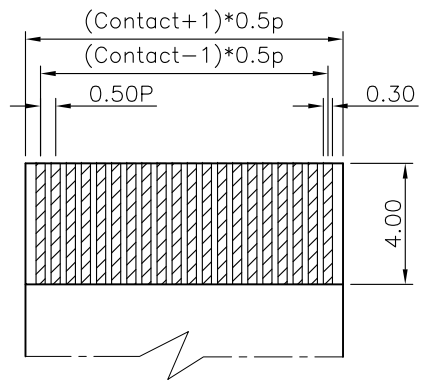
NO.		PART NAME	DESCRIPTION
UNLESS OTHERWISE SPECIFIED TOLERANCE			
UNIT:	DECIMAL	LINEAR	ANGLES
	mm	X, X	±0.50 ±3°
		X, XX	±0.25 ±3°
			±0.12 ±1°
DRAWN		Willis	2012/10/17
CHECKED		Angel	2012/10/17
APPROVED		Ken	2012/10/17
SCALE		SHEET	SIZE
4/1	1/1	A4	
DRAWN NAME:		FPC Connector Flip Horizontal Type Pitch 0.5, H:0.9, Bottom Contact	
PRODUCT NO.		SEE HOW TO ORDER	
FILE NAME		315A-XXBAA-R01_B_4	



**SECTION VIEW**  
SCALE 10/1



**RECOMMENDED LAYOUT ( TOP VIEW)**  
GENERAL TOLERANCE: ±0.05mm



**FFC/ FPC DIMENSION**  
THICKNESS 0.3mm

