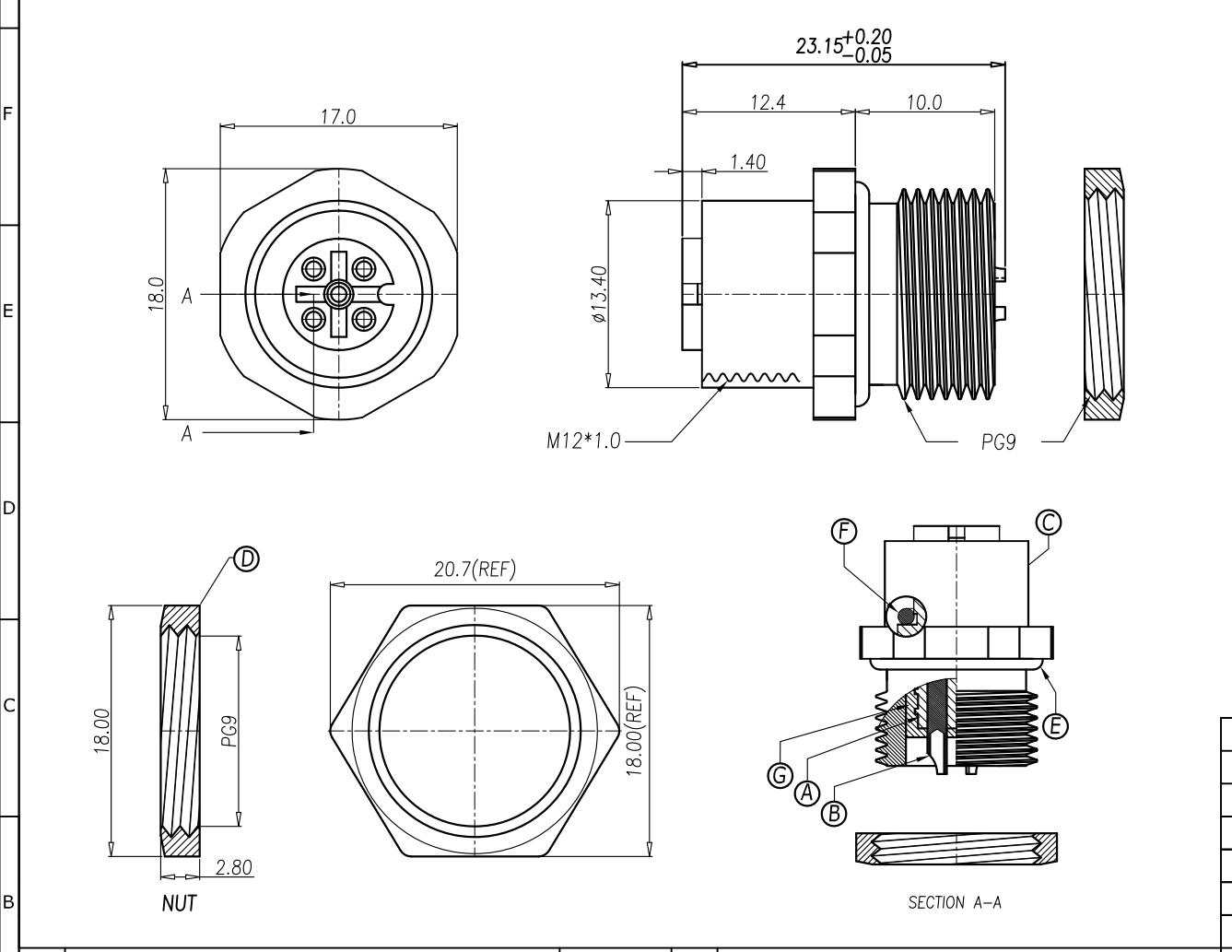


SWITCH CIRCUIT			MATERIAL AND FINISH AS BELOW						
WHEN CARD IS EJECTED		WHEN CARD IS INSERTED		A	Housing	PBT UL94V-0, Color: Black	E	O-Ring	NBR Black
				B	Contact	Brass C3604, Contact Area: 10u" Gold Plating Over Nickel	F	O-Ring	EPDM Black
				C	Shell	Brass C3604, Nickel Plated	G	Epoxy Base	Epoxy Black
				D	Nut	Brass C3604, Nickel Plated	H		



SPECIFICATION:

1. ELECTRICAL

- 1.1 Current Rating: 5A per pin**
- 1.2 Voltage Rating: 125V**
- 1.3 Water Proof: IP X7**

2. ENVIRONMENTAL

- 2.1 Operating temperature range: -40°C ~ +85°C**

P1	P2	P3	P4	P5	P6	P7	P8	P9	P10	P11	P12
PIN ASSIGNMENT											
216A-05FAR			M12 A Code 5Pin Receptacle, Female Solder Type, Rear Fastened, Contact: 10u" Gold Plating								
PRODUCT NO.						DESCRIPTION					
UNLESS OTHERWISE SPECIFIED TOLERANCE						ANGLES		ANG.		±5°	
						LINEAR		0.		±0.3	
								0.0		±0.25	
						0.00		±0.20			
SCALE		AS SHOWN		UNIT: mm		 www.attend.com.tw					
DRAWN		Willis		2013/12/24							
CHECKED		Angel		2013/12/24							
APPROVED		Ken		2013/12/24							
REV. 1.0						DRAWN NAME:			M12 A- Code 5Pin Receptacle Female Solder Type, Rear Fastened		
						PRODUCT NO.		216A-05FAR			
						FILE NAME		216A-05FAR_B_2			

REV.	DESCRIPTION	DATE	REV.	DESCRIPTION	DATE
1	ECR1700027	2017/10/26			
2	INITIAL RELEASE	2013/12/24			