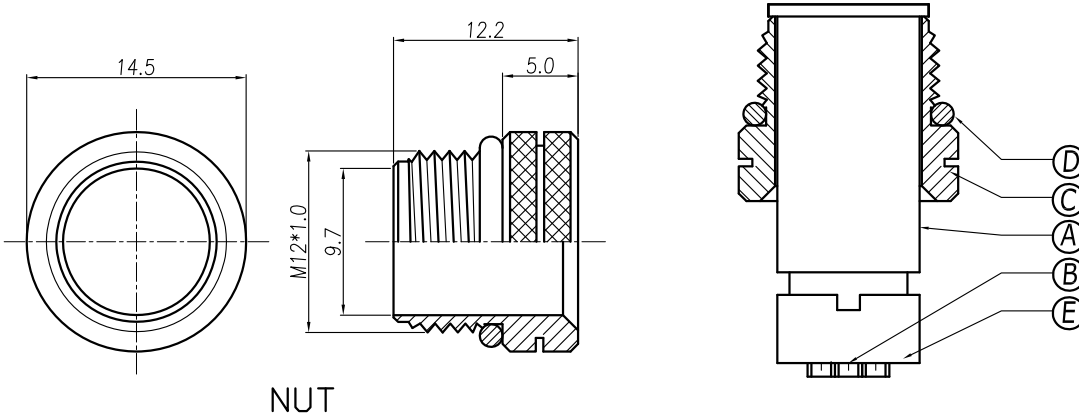
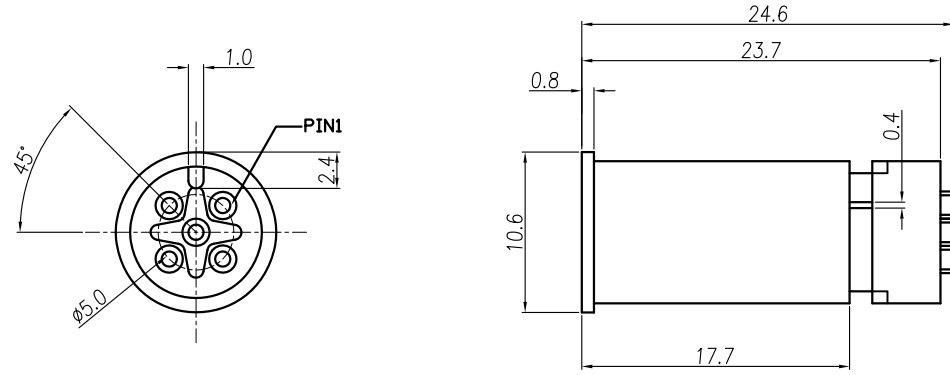


SWITCH CIRCUIT		MATERIAL AND FINISH AS BELOW							
WHEN CARD IS EJECTED	WHEN CARD IS INSERTED	A	Housing	PBT UL94V-0, Color: Black	E	Epoxy Base	Epoxy Black		
		B	Contact	Brass C3604, Contact Area:10u" Gold Plating Over Nickel	F				
		C	Nut	Brass C3604, Nickel Plated	G				
		D	O-Ring	EPDM Black	H				



SPECIFICATION:

1. ELECTRICAL

- 1.1 Current Rating: 5A per pin
- 1.2 Voltage Rating: 125V
- 1.3 Water Proof: IP X7

2. ENVIRONMENTAL

- 2.1 Operating temperature range: -40°C ~ +85°C

P1	P2	P3	P4	P5	P6	P7	P8	P9	P10	P11	P12
PIN ASSIGNMENT											
216A-05MO0		M12 A- Code Plug for Cable, 5Pin Male For Overmold with Cable, Contact: 10u" Gold Plating									
PRODUCT NO.		DESCRIPTION									

UNLESS OTHERWISE SPECIFIED TOLERANCE		
ANGLES	ANG.	±5°
LINEAR	0.	±0.3
	0.0	±0.25
	0.00	±0.20
SCALE	AS SHOWN	UNIT: mm
DRAWN	Willis	2013/12/24
CHECKED	Angel	2013/12/24
APPROVED	Ken	2013/12/24



www.attend.com.tw
 DRAWN NAME: M12 A- Code Plug for Cable
 5Pin Male For Overmold with Cable

REV.	DESCRIPTION	DATE	REV.	DESCRIPTION	DATE
1	ECR1700027	2017/10/26			
2	INITIAL RELEASE	2013/12/24			

SIZE	A4	REV.	1.0	FILE NAME	216A-05MO0_B_2
------	----	------	-----	-----------	----------------