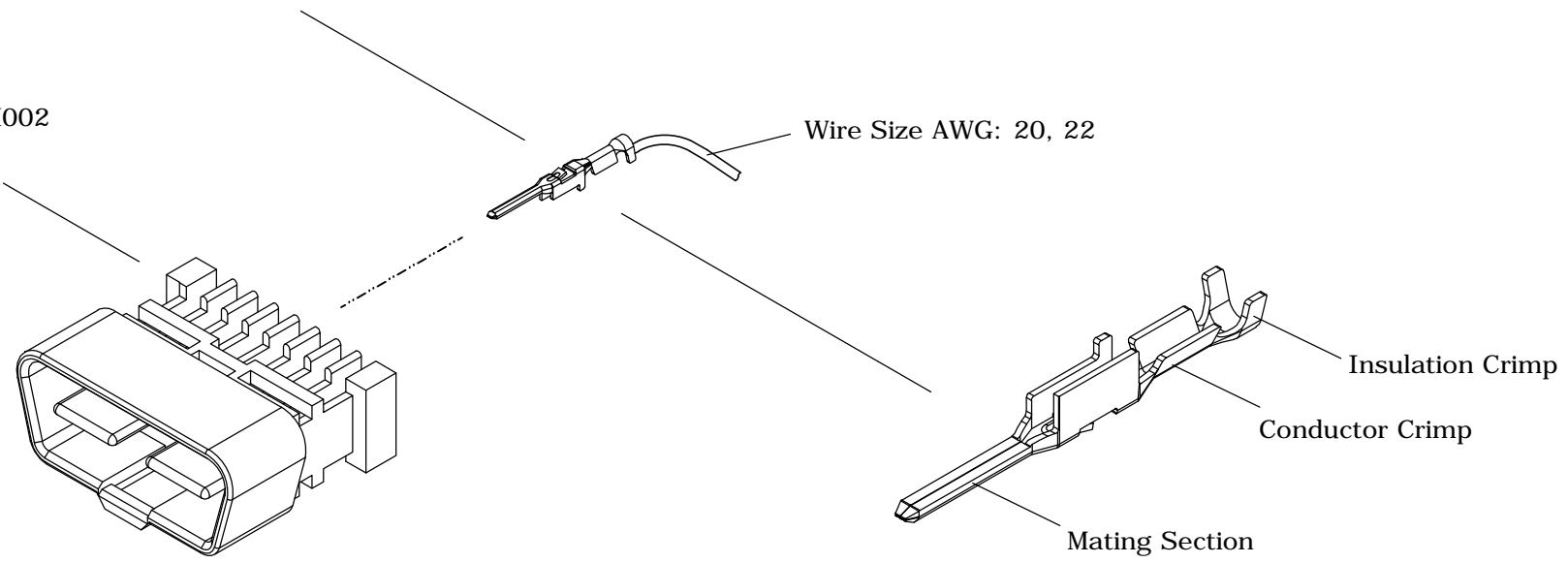



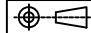
REV.	DESCRIPTION	DRAWN	DATE
1	INITIAL RELEASE	TIM	2019/03/15

Crimp Terminal  
P/N: 226A-T001  
Q'ty: 16 PCS (Max.)

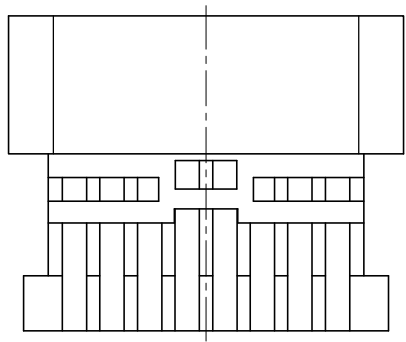
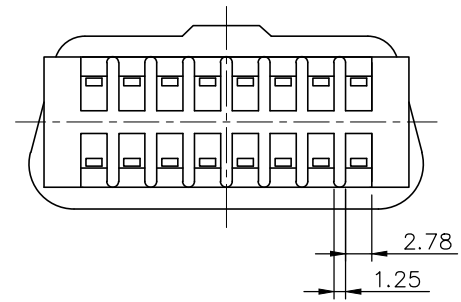
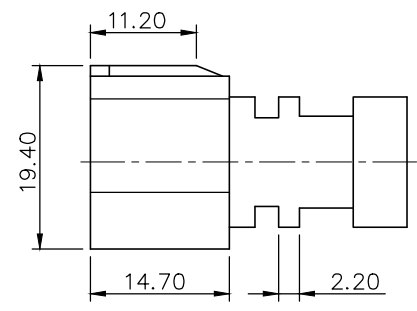
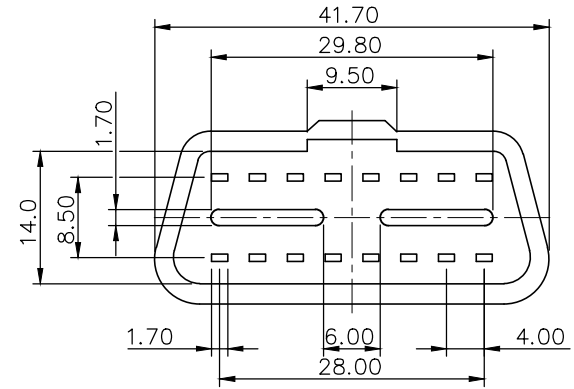
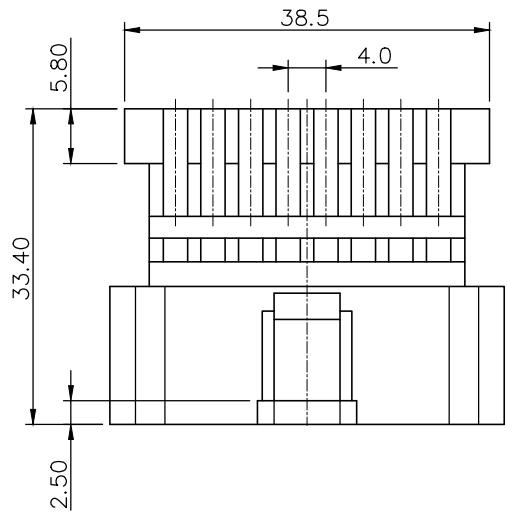
Housing  
P/N: 226A-H002  
Q'ty: 1 PC

Wire Size AWG: 20, 22



UNLESS OTHERWISE SPECIFIED TOLERANCE							
UNIT:	DECIMAL	LINEAR	ANGLES			<a href="http://www.attend.com.tw">www.attend.com.tw</a>	
mm	X.	±0.50	±5°				
	X.X	±0.25	±3°				
	X.XX	±0.12	±1°				
DRAWN	Tim	2019/03/15	DRAWN NAME:				
CHECKED	Fros	2019/03/15	OBD2 Housing, Type B Male Overmold, Crimp Terminal				
APPROVED	Ken	2019/03/15	PRODUCT NO.				
	SCALE 1:1	SHEET 1/1	SIZE A4	FILE NAME	226A-Overmold		

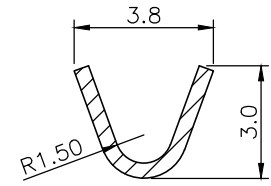
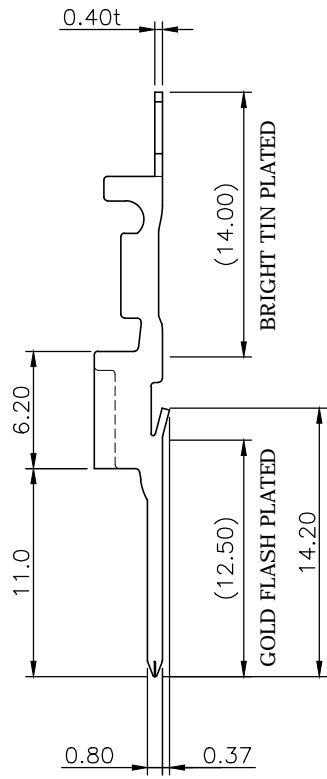
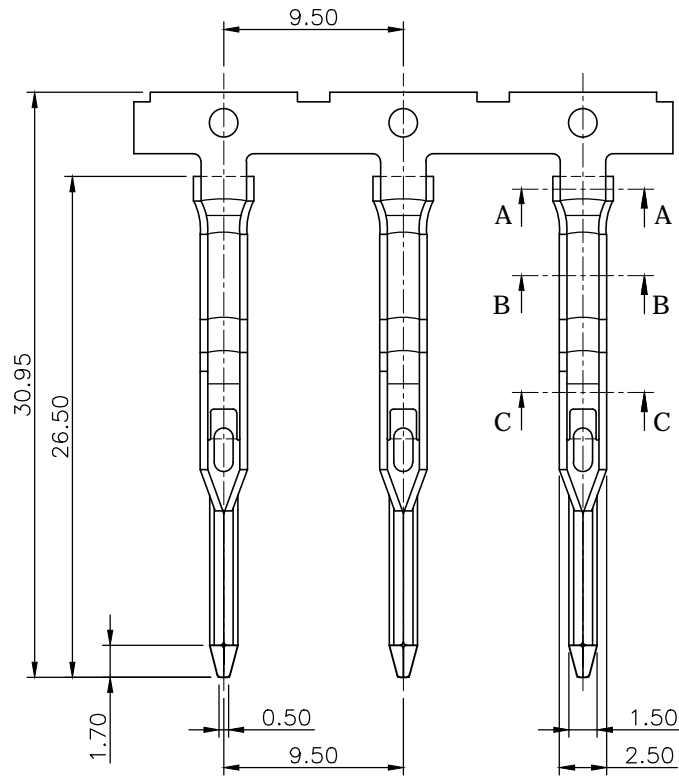
REV.	DESCRIPTION	DRAWN	DATE
1	INITIAL RELEASE	TIM	2019/03/15



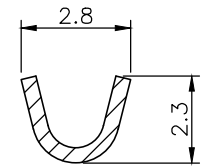
1	HOUSING	PA66, UL94V-0, Black	
NO	PART NAME	DESCRIPTION	
UNLESS OTHERWISE SPECIFIED TOLERANCE			
UNIT:	DECIMAL	LINEAR	ANGLES
mm	X.	±0.50	±5°
	X.X	±0.25	±3°
	X.XX	±0.12	±1°
			www.attend.com.tw
DRAWN	Tim	2019/03/15	DRAWN NAME:
CHECKED	Fros	2019/03/15	OBD2 Housing, Type B Male Overmold, Nylon, Black
APPROVED	Ken	2019/03/15	PRODUCT NO. 226A-H002
	SCALE	SHEET	SIZE
	1.25	1/1	A4
FILE NAME		226A-H002_B_1	



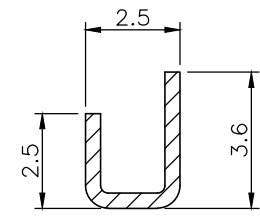
REV.	DESCRIPTION	DRAWN	DATE
1	INITIAL RELEASE	TIM	2019/03/15



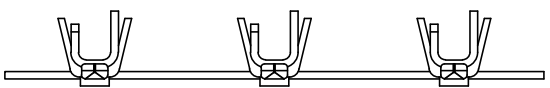
SECTION A-A  
SCALE 2:1



SECTION B-B  
SCALE 2:1



SECTION C-C  
SCALE 2:1



1	TERMINAL	C2680, Mating area: Gold plating over Nickel Tail: Bright Tin plating over Nickel	
NO.	PART NAME	DESCRIPTION	
UNLESS OTHERWISE SPECIFIED TOLERANCE			
UNIT:	DECIMAL	LINEAR	ANGLES
mm	X.	±0.50	±5°
	X.X	±0.25	±3°
	X.XX	±0.12	±1°
			www.attend.com.tw
DRAWN	Tim	2019/03/15	DRAWN NAME: OB2 Terminal, Male Pin, Crimp Brass, G/F, 18-22AWG
CHECKED	Fros	2019/03/15	
APPROVED	Ken	2019/03/15	PRODUCT NO. 226A-T001
	SCALE 2.5	SHEET 1/1	SIZE A4
		FILE NAME	226A-T001_B_1

