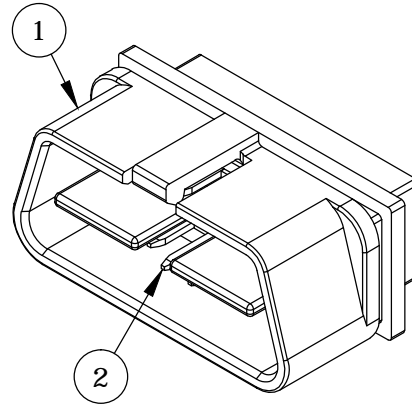
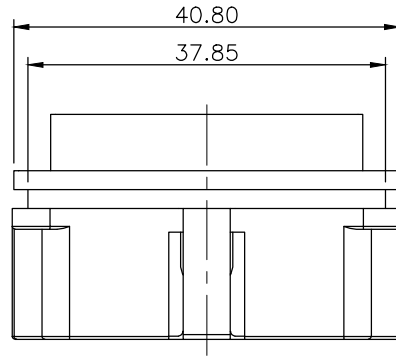


REV.	DESCRIPTION	DRAWN	DATE
1	INITIAL RELEASE	TIM	2019/03/15



SPECIFICATION:

1. ELECTRICAL

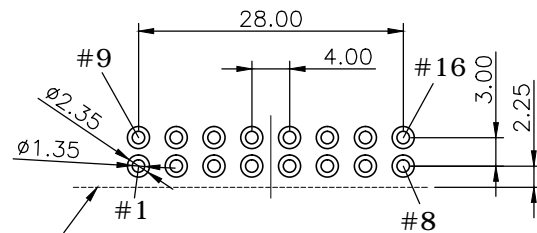
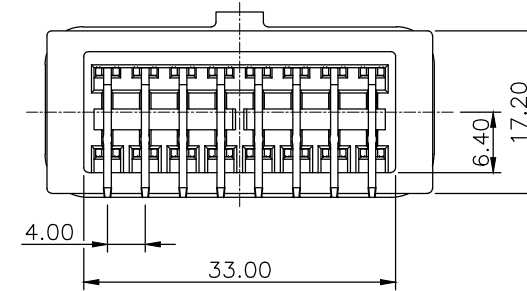
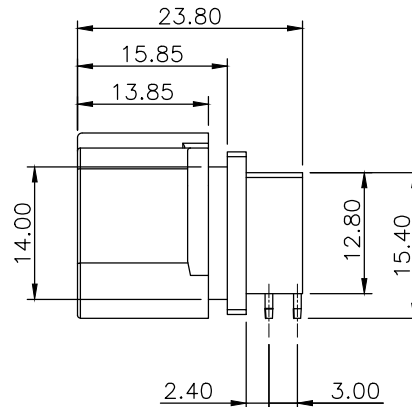
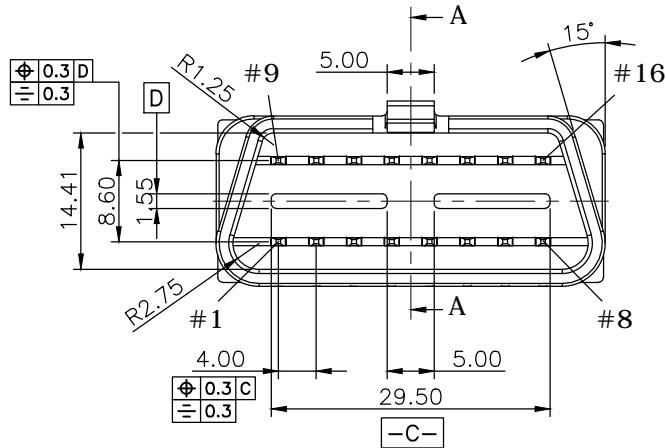
- 1.1 Current Rating: 6A Max
- 1.2 Voltage Rating: 30V DC
- 1.3 Contact Resistance: 100mΩ Max
- 1.4 Insulation Resistance: 100MΩ Min
- 1.5 Dielectric Withstanding Voltage: 1000VAC

2. MECHANICAL

- 2.1 Durability: 200 Cycle
- 2.2 Insertion Force: 142N max.
- 2.3 Extraction Force: 88N max.

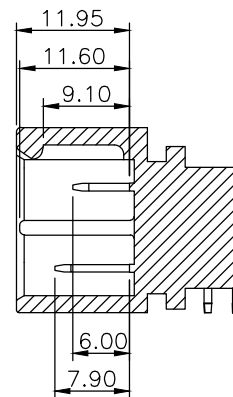
3. ENVIRONMENTAL

- 3.1 Operating temperature range: -40 °C~+85°C



PCB EDGE

RECOMMENDED LAYOUT (TOP VIEW)
GENERAL TOLERANCE: ±0.05mm



SECTION A-A

2	CONTACT	BRASS, BRIGHT TIN PLATED UNDER NICKEL					
1	HOUSING	PC EXL9330, UL94V-0, Black					
NO	PART NAME	DESCRIPTION					
UNLESS OTHERWISE SPECIFIED TOLERANCE							
UNIT:	DECIMAL	LINEAR	ANGLES				
	X.	±0.50	±5°				
	X.X	±0.25	±3°				
	X.XX	±0.12	±1°				
www.attend.com.tw							
DRAWN	Tim	2019/03/15	DRAWN NAME: OB2 Type B Male Connector, 16Pin, 24V, R/A, DIP				
CHECKED	Fros	2019/03/15					
APPROVED	Ken	2019/03/15					
SCALE	1.25	SHEET	1/1	SIZE	A4	PRODUCT NO.	226A-2402
FILE NAME		226A-2402_B_1					



ATTEND