

REV.	DESCRIPTION	DRAWN	DATE
1	INITIAL RELEASE	TIM	2019/03/15

SPECIFICATION:

1. ELECTRICAL

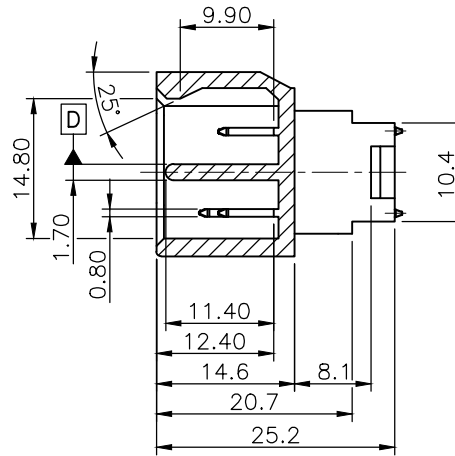
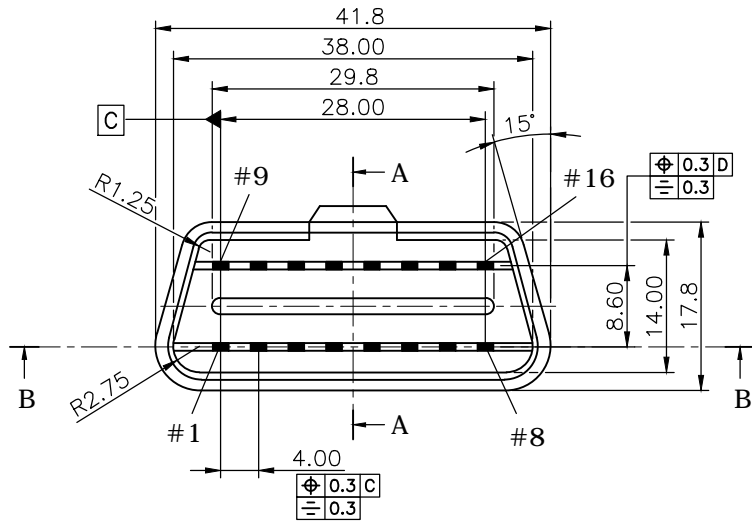
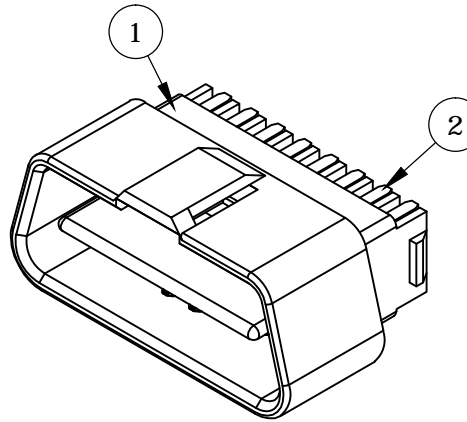
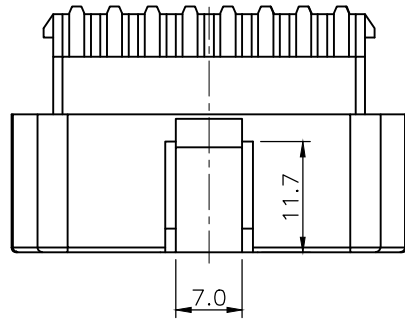
- 1.1 Current Rating: 6A Max
- 1.2 Voltage Rating: 30V DC
- 1.3 Contact Resistance: 100mΩ Max
- 1.4 Insulation Resistance: 100MΩ Min
- 1.5 Dielectric Withstanding Voltage: 1000VAC

2. MECHANICAL

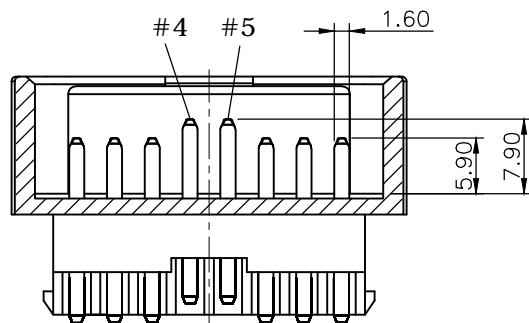
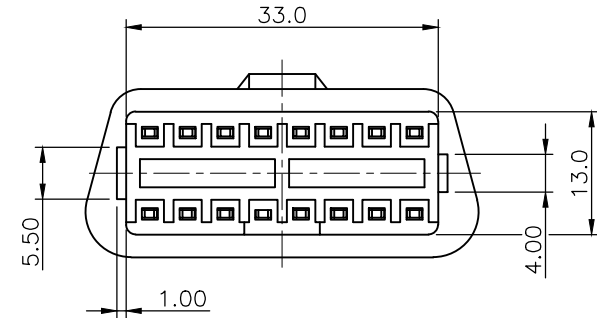
- 2.1 Durability: 200 Cycle
- 2.2 Insertion Force: 142N max.
- 2.3 Extraction Force: 88N max.

3. ENVIRONMENTAL

- 3.1 Operating temperature range: -40 °C~+85°C



SECTION A-A



SECTION B-B

2	CONTACT	Brass, Gold plating on contact area Tin plating on solder tail, under plated Nickel					
1	HOUSING	PA66, UL94V-0, Black					
NO.	PART NAME	DESCRIPTION					
UNLESS OTHERWISE SPECIFIED TOLERANCE							
UNIT:	DECIMAL	LINEAR	ANGLES				
mm	X.	±0.50	±5°				
	X.X	±0.25	±3°				
	X.XX	±0.12	±1°				
www.attend.com.tw							
DRAWN	Tim	2019/03/15	DRAWN NAME:				
CHECKED	Fros	2019/03/15	OB2 Type A Male Connector, 16Pin, 12V, Solder Pin, Overmold				
APPROVED	Ken	2019/03/15	PRODUCT NO. 226A-1201				
SCALE	1.25	SHEET	1/1	SIZE	A4	FILE NAME	226A-1201_B_1

