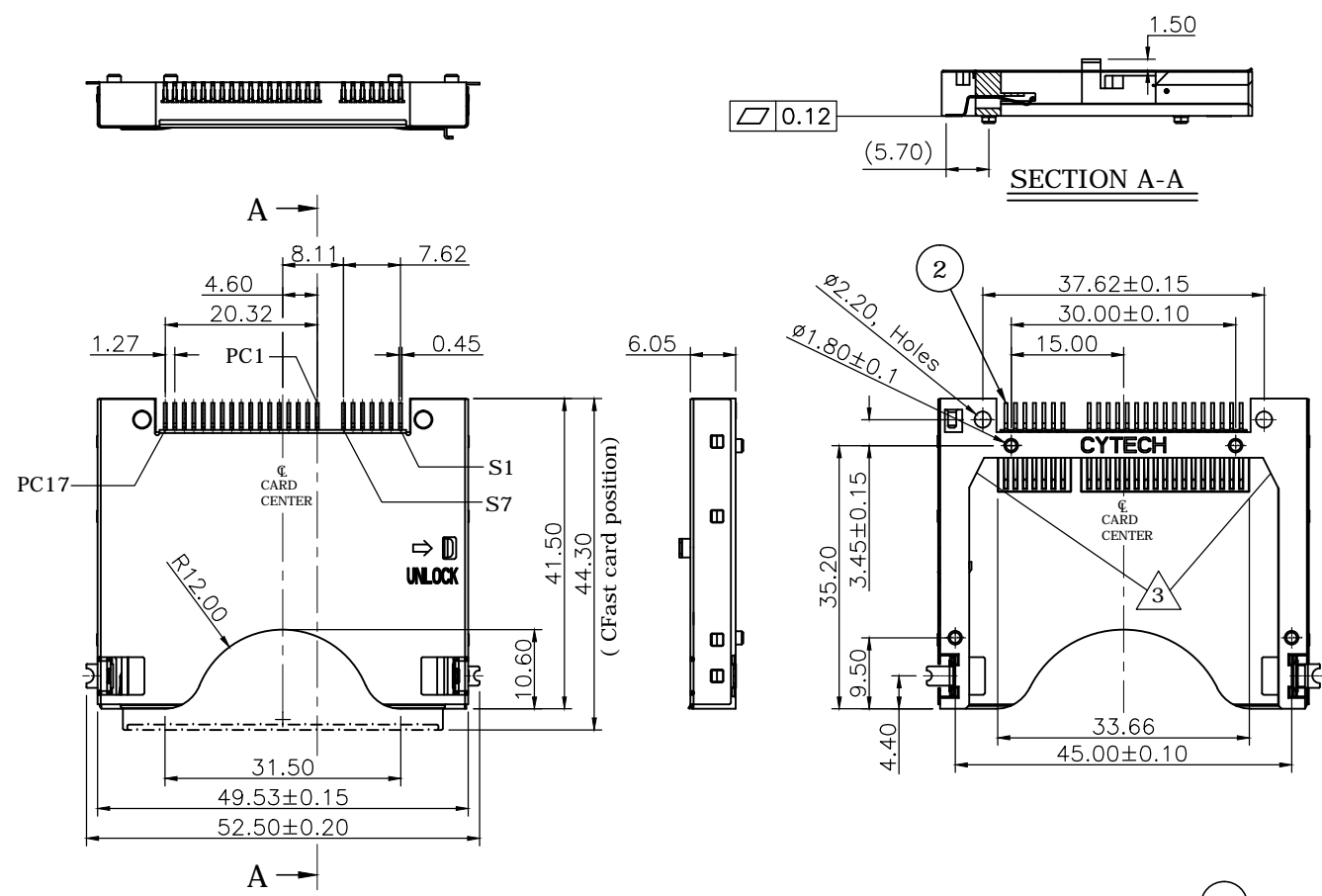
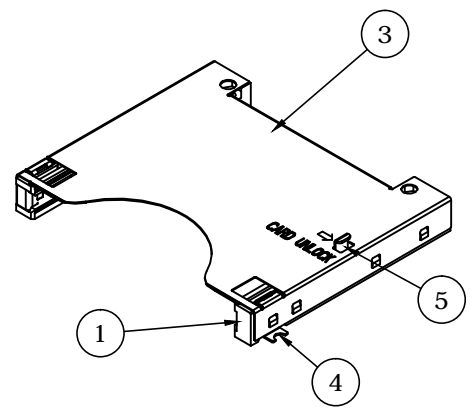
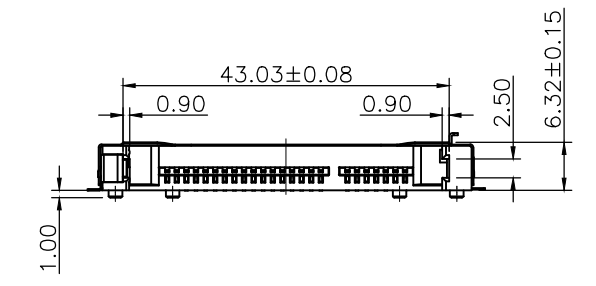


REV.	DESCRIPTION	DRAWN	DATE
1	INITIAL RELEASE	Willis	2012/07/04
2	Revised plated to 10u" gold	Willis	2013/05/07
3	Corrected housing shape	FROS	2018/03/22



SPECIFICATION:

- ELECTRICAL**
 - Current Rating: 1.5A
 - Voltage Rating: 100V AC/DC
 - Contact Resistance: 30mΩ
 - Insulation Resistance: 1000MΩ
 - Dielectric Withstanding Voltage: 500VDC
- MECHANICAL**
 - Durability: 10000 Cycle
 - Insertion Force: 28.8N max.
 - Extraction Force: 3.7~24.5N max.
- ENVIRONMENTAL**
 - Operating temperature range: -40°C ~ +85°C
 - Storage temperature range: -40°C ~ +85°C
- SOLDER ABILITY**
 - Recommended IR Reflow Temperature: 260°C



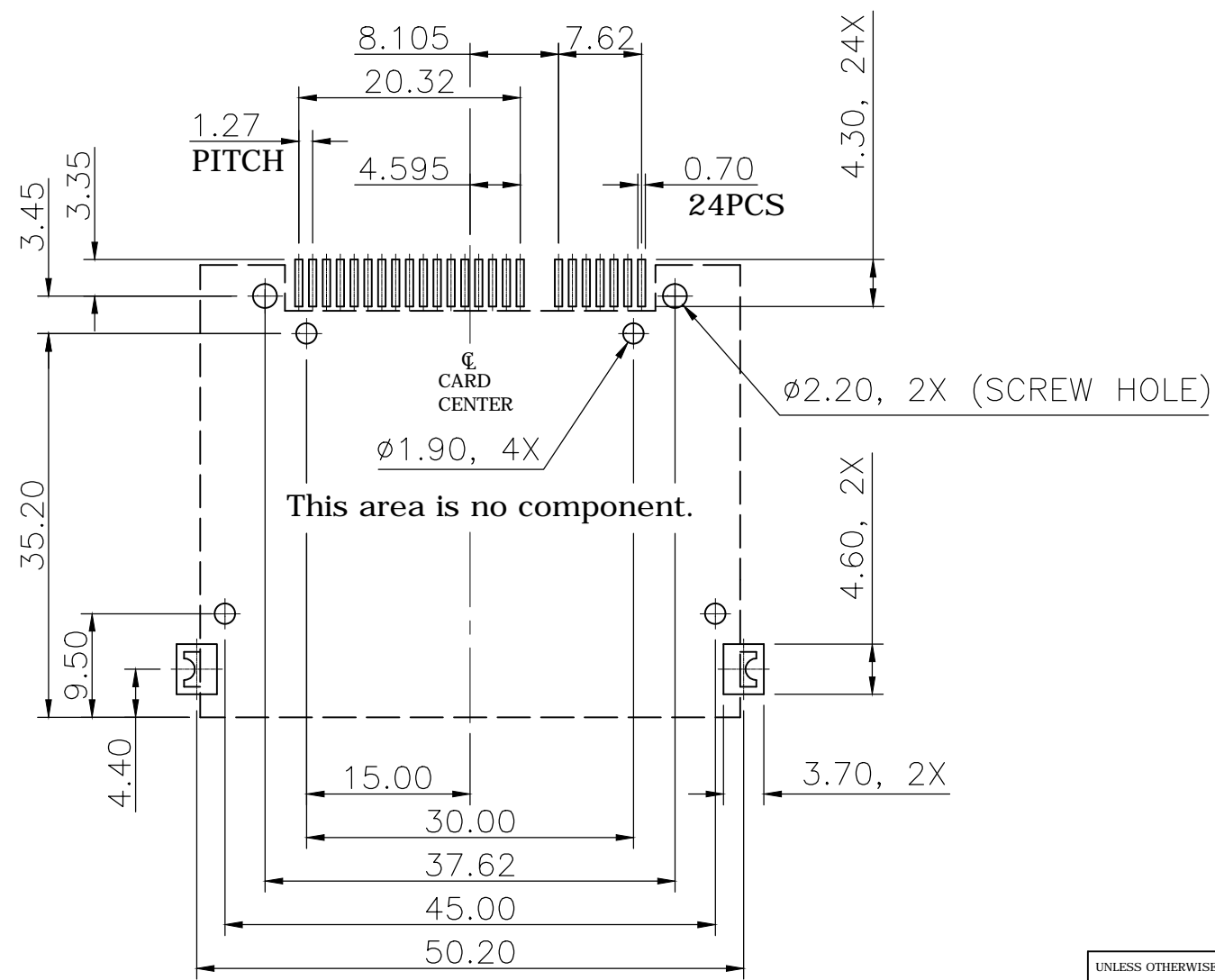
5	Lock	Stainless Steel
4	Hold down	Brass C2680, 0.2t, Tin Plating
3	Shell	Stainless Steel SUS304, 0.2T
2	Contact	Phosphor Bronze C5210, 0.2t, 10u" Gold
1	Housing	LCP UL94V-0 Blcak
NO.	PART NAME	DESCRIPTION

UNLESS OTHERWISE SPECIFIED TOLERANCE			
UNIT:	DECIMAL	LINEAR	ANGLES
mm	X.	±0.50	±5°
	X.X	±0.25	±3°
	X.XX	±0.12	±1°





DRAWN	Willis	2012/07/04	DRAWN NAME:	
CHECKED	Angel	2012/07/04	CFast Socket 6.05H TypeII Card Lock Type	
APPROVED	Ken	2012/07/04	PRODUCT NO.	120B-605D00
SCALE	1/1	SHEET	1/2	SIZE
			A4	FILE NAME
				120B-605D00_B_3

REV.	DESCRIPTION	DRAWN	DATE
	see sheet one		



RECOMMENDED LAYOUT (TOP VIEW)
GENERAL TOLERANCE: ±0.05

UNLESS OTHERWISE SPECIFIED TOLERANCE					
UNIT:	DECIMAL	LINEAR	ANGLES		
mm	X.	±0.50	±5°	www.attend.com.tw	
	X.X	±0.25	±3°		
	X.XX	±0.12	±1°		
DRAWN	Willis	2012/07/04	DRAWN NAME:		
CHECKED	Angel	2012/07/04	CFAST Socket 6.05H TypeII Card Lock Type		
APPROVED	Ken	2012/07/04	PRODUCT NO.	120B-605D00	
	SCALE 1.6	SHEET 2/2	SIZE A4	FILE NAME	120B-605D00_B_3