

REV.	DESCRIPTION	DRAWN	DATE
1	INITIAL RELEASE	Willis	2012/08/03
2	new frame, corrected actuator form dims, removed page 2 dim. table, add "how to order" notes	Fros	2017/09/20

**SPECIFICATION:**

1. ELECTRICAL
  - 1.1 Current Rating: 0.5A per pin
  - 1.2 Voltage Rating: 50V DC/AC
  - 1.3 Contact Resistance: 20mΩ
  - 1.4 Insulation Resistance: 50MΩ
  - 1.5 Dielectric Withstanding Voltage: 250VAC
2. MECHANICAL
  - 2.1 Durability: 20 Cycle
  - 2.2 FPC Retention Force: 0.3N per pin min.
3. ENVIRONMENTAL
  - 3.1 Operating temperature range: -40°C~+85°C
  - 3.2 Storage temperature range: -40°C~+85°C
4. SOLDER ABILITY
  - 4.1 Recommended IR-Reflow Temperature: 260°C

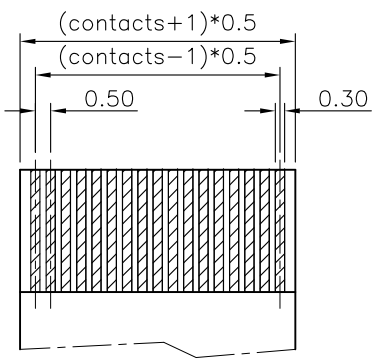
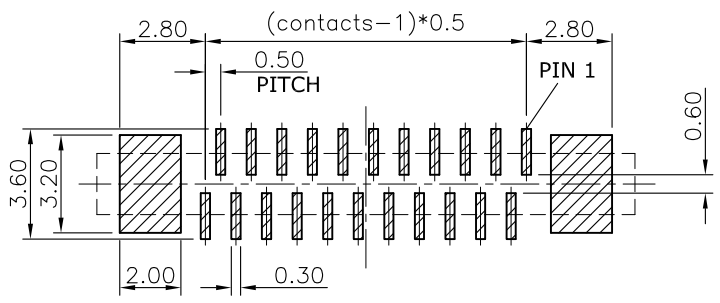
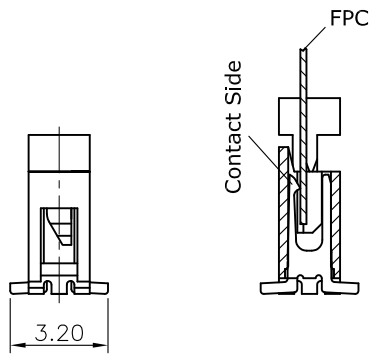
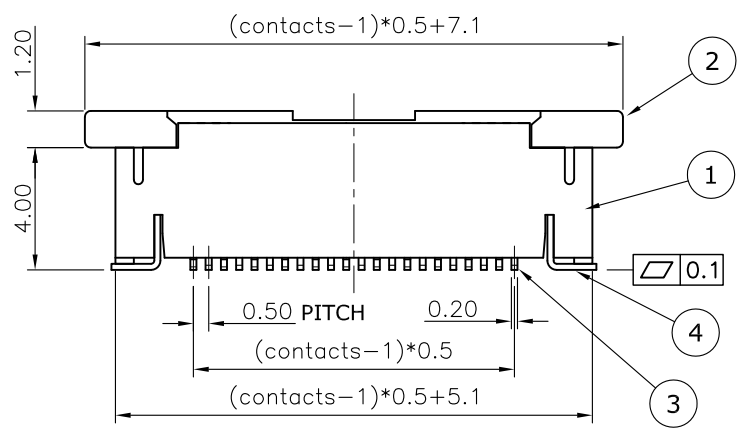
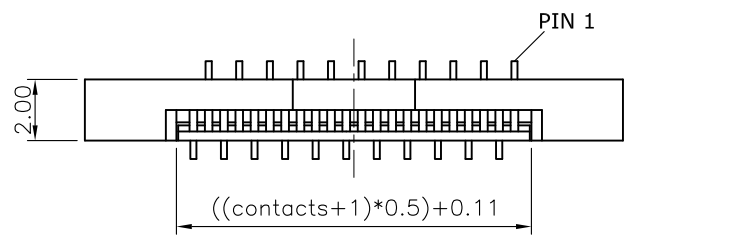
**How to order:**

312A- XX N A A - R  
 1 2 3 4

- △ 1 pin count: xx= 04~68  
 (Please contact with sales for the pins count available)
- 2 contact type: N= Normal type
- 3 plating: A= Tin plating under Nickel
- 4 packing: A= tape and reel

4	HOLDDOWN	Brass, 100u" Tin over 50u" Nickel plating
3	CONTACT	Phosphor Bronze, 100u" Tin over 50u" Ni plating
2	ACTUATOR	PPS UL94V-0
1	HOUSING	PA-46 UL94V-0

NO.	PART NAME	DESCRIPTION	
UNLESS OTHERWISE SPECIFIED TOLERANCE			
UNIT:	DECIMAL	LINEAR	ANGLES
mm	X.	±0.50	±5°
	X.X	±0.25	±3°
	X.XX	±0.12	±1°
www.attend.com.tw			
DRAWN	Willis	2012/08/03	DRAWN NAME:
CHECKED	Angel	2012/08/03	FPC Connector, Pitch 0.5, H2.0 Vertical Normal Type
APPROVED	Ken	2012/08/03	PRODUCT NO. see how to order
SCALE	SHEET	SIZE	FILE NAME
4/1	1/1	A4	312A-XXNAA-R_B_2



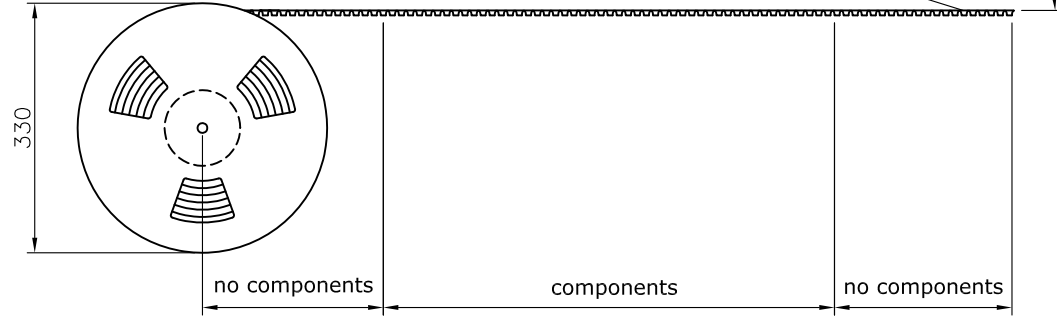
**RECOMMENDED LAYOUT (TOP VIEW)**  
**GENERAL TOLERANCE: ±0.05mm**

**FPC DIMENSION**  
**THICKNESS 0.30mm**

REV.	DESCRIPTION	DRAWN	DATE
1	INITIAL RELEASE	Willis	2011/05/17
2	revised frame	Fros	2017/09/20

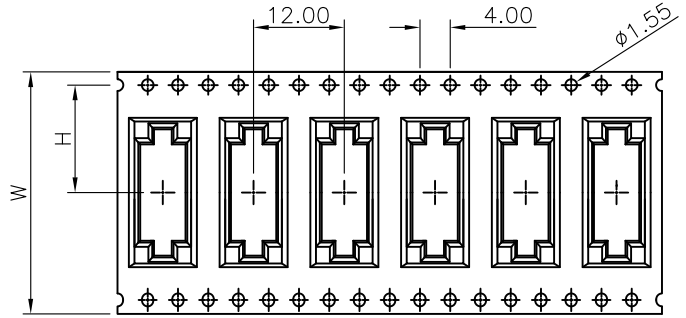
winding the cover tape around the outer periphery in a turn

DIRECTION OF FEED →

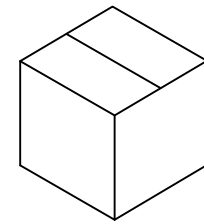


- 10 sprocket hole pitch cumulative tolerance  $\pm 0.20$  .
- Carrier camber is within 1 mm in 250mm.
- Material : Black Conductive Polystyrene Alloy (UP-6100).
- All dimensions meet EIA-481-B requirements.
- Thickness :  $0.35 \pm 0.05$ mm.
- Packing length per 22" reel : 35.0 Meters.
- Components load per 13" reel : 1000 pcs.

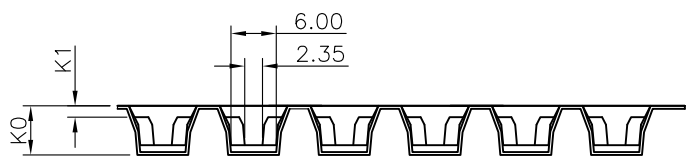
Contact Pin	PCS/Reel	Reel/Carton
03~04	1000	14
05~20	1000	10
21~30	1000	08
31~51	1000	06
52~60	1000	05




PIN= XX	03 — 04	05 — 20	21 — 30	31 — 50	51 — 60
W $\pm 0.30$	16.00	24.00	32.00	44.00	56.50
H $\pm 0.10$	7.50	11.50	14.20	20.20	26.20
K0 $\pm 0.10$	5.30	5.30	5.30	5.70	5.70
K1 $\pm 0.10$	1.50	1.50	1.50	1.90	1.90



CARTON 350X350X340mm



UNLESS OTHERWISE SPECIFIED TOLERANCE					
UNIT:	DECIMAL	LINEAR	ANGLES		
mm	X.	$\pm 0.50$	$\pm 5^\circ$	www.attend.com.tw	
	X.X	$\pm 0.25$	$\pm 3^\circ$		
	X.XX	$\pm 0.12$	$\pm 1^\circ$		
DRAWN	Willis	2011/05/17	DRAWN NAME:		
CHECKED	Angel	2011/05/17	FPC Connector Packaging drawing		
APPROVED	Ken	2011/05/17	PRODUCT NO.	312A-XXXXX-R	
SCALE	N/A	SHEET 1/1	SIZE A4	FILE NAME	312A-XXXXX-R_D_2