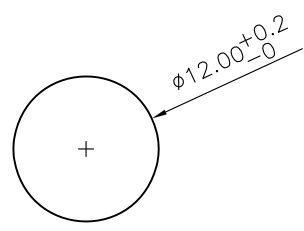
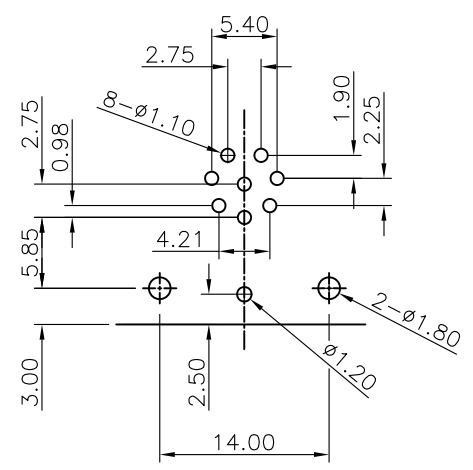
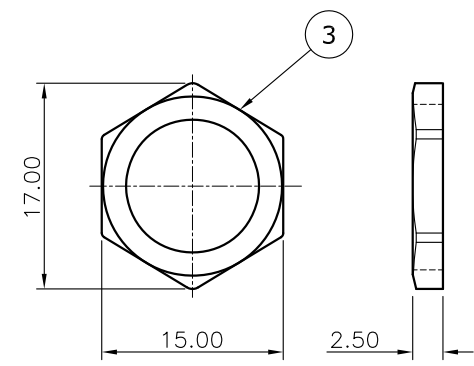
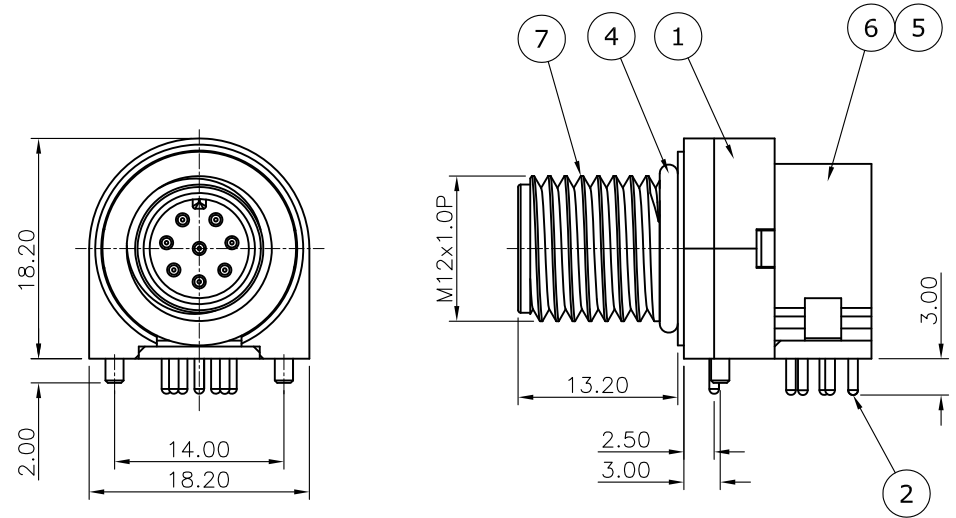


REV.	DESCRIPTION	DRAWN	DATE
1	INITIAL RELEASE	FROS	2017/06/19

SPECIFICATION:


1. Current Rating: 3A
2. Voltage Rating: 125V
3. Water proof: IPX7
4. Operating temperature range: -40°C~+85°C



RECOMMENDED LAYOUT (TOP VIEW)
GENERAL TOLERANCE: ±0.05

PANEL CUT OUT

7	SHELL	Brass, Nickel plating
6	BASE	PBT, UL94V-0, Black
5	BACK HOUSING	PBT, UL94V-0, Black
4	O-RING	NBR, Black
3	NUT	Brass, Nickel plating
2	CONTACT	Brass, Gold plating over Nickel
1	COVER	PBT, UL94V-0, Black

NO.		PART NAME	DESCRIPTION
UNLESS OTHERWISE SPECIFIED TOLERANCE			
UNIT:	DECIMAL	LINEAR	ANGLES
	mm	X, X.X	X, XX
		±0.50 ±0.25 ±0.12	±5° ±3° ±1°
		 WWW.ATTEND.COM.TW	
DRAWN	Fros	2017/06/19	DRAWN NAME:
CHECKED	Tim	2017/06/19	M12 A- Code Receptacle, 8Pin Male R/A DIP Front Fastened
APPROVED	Ken	2017/06/19	PRODUCT NO. 216A-08MRF
SCALE	SHEET	SIZE	FILE NAME
1.6	1/1	A4	216A-08MRF_B_1