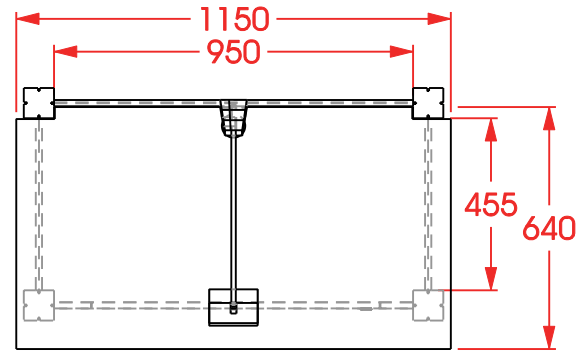
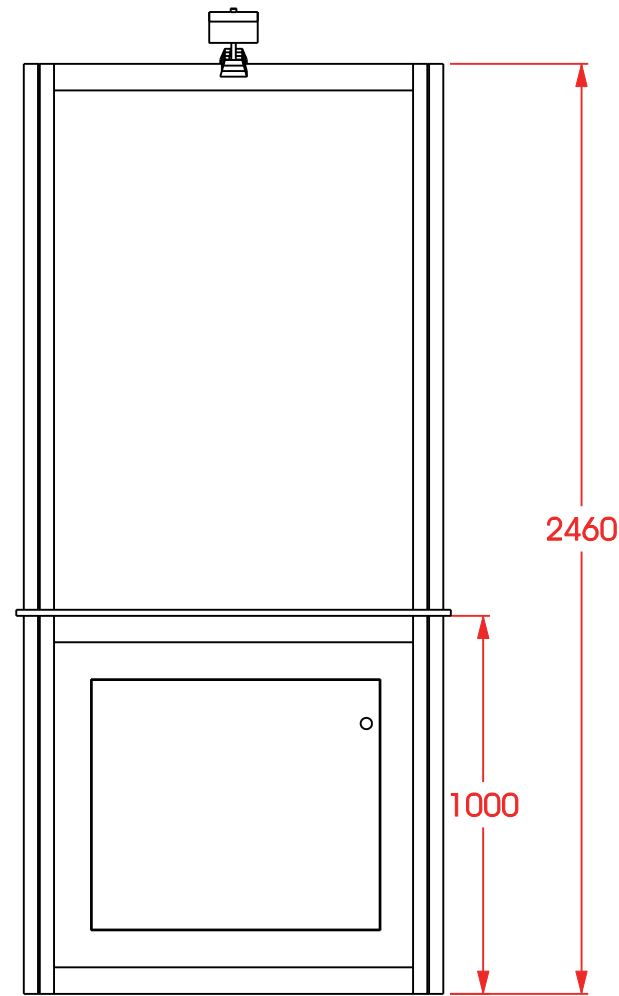


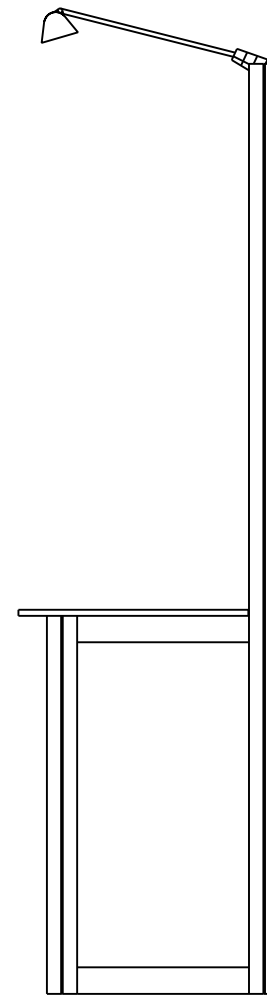
Health-e-Nation: Pod



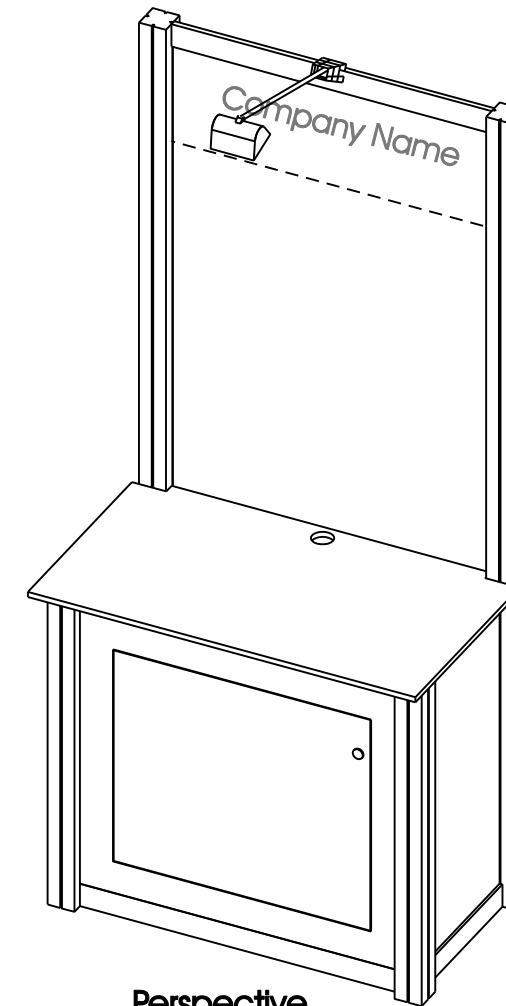
Floor Plan



Front Elevation



Side Elevation



Perspective

BUILD DETAIL

STAND NAME:
CHIK Services
STAND NO.:
Pod

EVENT NAME:
Health-e-Nation 2012
EVENT DATES:
28-29 March 2012

VENUE:
Royal Pines Gold Coast
HALL / ROOM:
Monarch/Marquis

DRAWING VERSION:
01
DRAWING DATE:
24.10.2011

DRAWN BY:
NW
CHECKED BY:
-

SCALE:
NTS



exhibit systems
creative solutions for any event

PO BOX 709
BROOKVALE, NSW 2100
Australia
Ph: (02) 9662 6511
Fax: (02) 9662 6699
sales@exhibitsystems.com.au
www.exhibitsystems.com.au

© COPYRIGHT EXHIBIT SYSTEMS 2009